

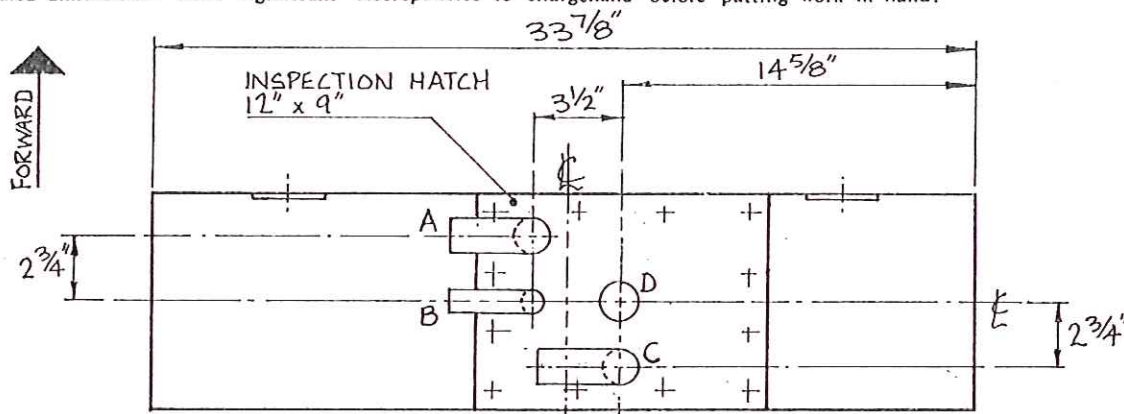
**Title** ECLIPSE 43 HOLDING TANK (APPROX CAPACITY=20GALS)

**Material** ALUMINIUM | **Drawn by** J.F. FROUD. | **Date** 27-07-90 | **Scale** N.T.S. | **Drwg. No** E43.049

MARINE PROJECTS PLYMOUTH LTD.  
Newport Street, Plymouth. Telephone 277

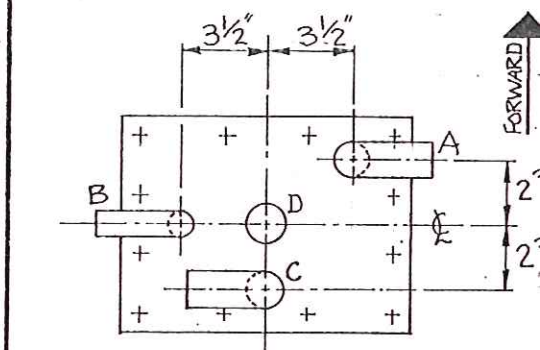
Always work to figured dimensions in preference to scaled dimensions. Refer significant discrepancies to chargehand before putting work in hand.

- A = 1 1/2" INLET ELBOW
- B = 1" BREATHER ELBOW
- C = 1 1/2" OUTLET ELBOW WITH DOWNPIPE.
- D = SENDER UNIT (OPTIONAL)



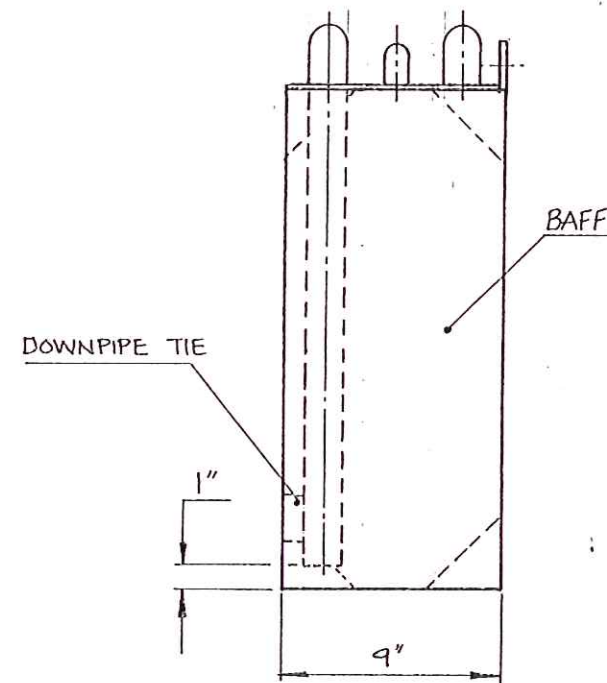
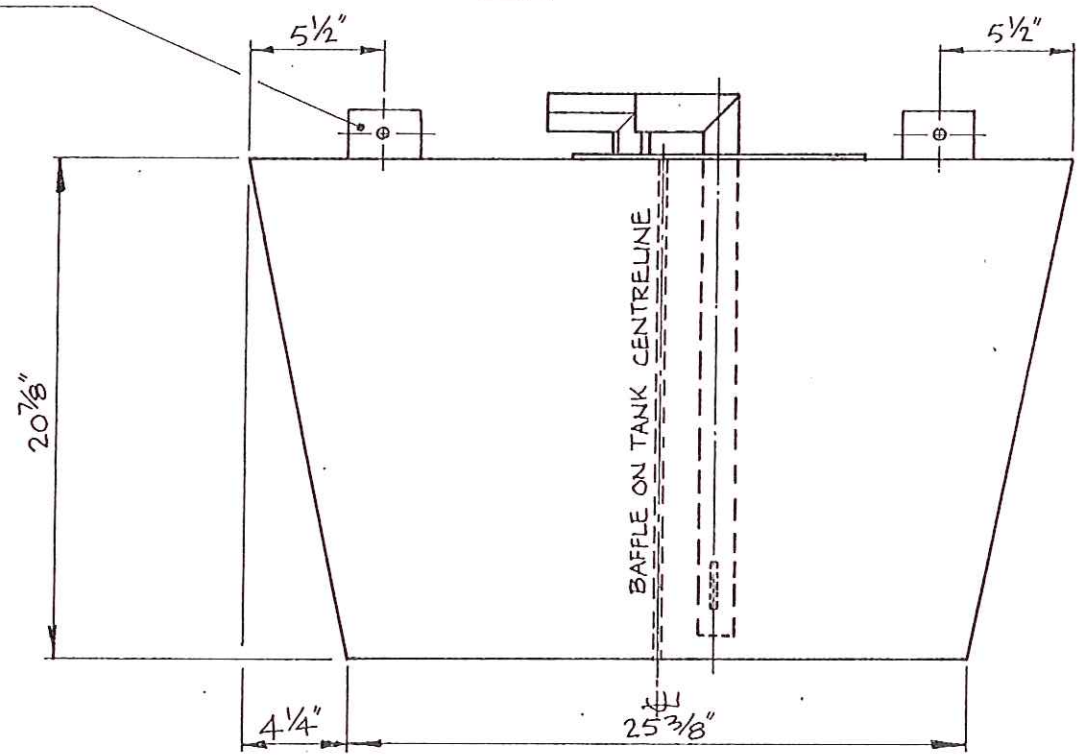
3" x 2" FIXING LUGS,  
DRILL Ø6.5mm

TANK FITTINGS SHOWN ABOVE ARE FOR PORT TOILET INSTALLATION



TANK FITTINGS SHOWN ABOVE ARE FOR STARBOARD TOILET INSTALLATION

NOTE: 1" CLEARANCE BELOW ALL FITTINGS



DATE				
DRN				
MODIFICATION				
ISSUE A				

**UNCONTROLLED**

ISSUED BY  
MARINE PROJECTS  
DRAWING OFFICE  
**25 OCT 1994**