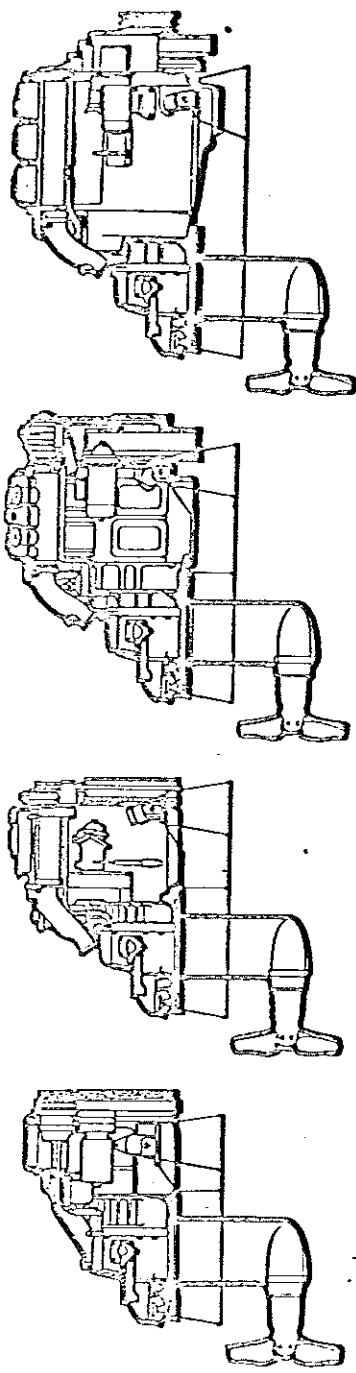
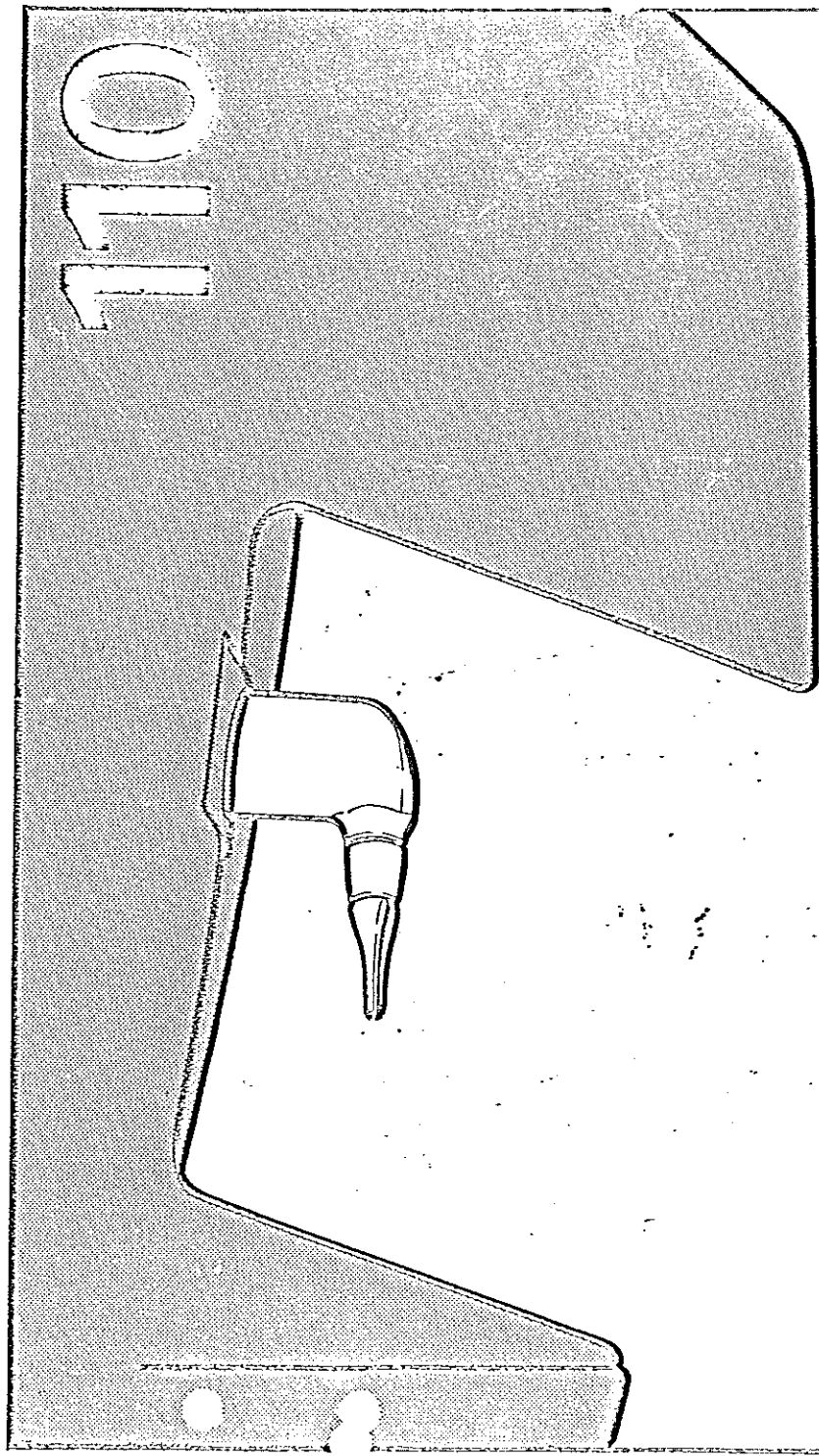
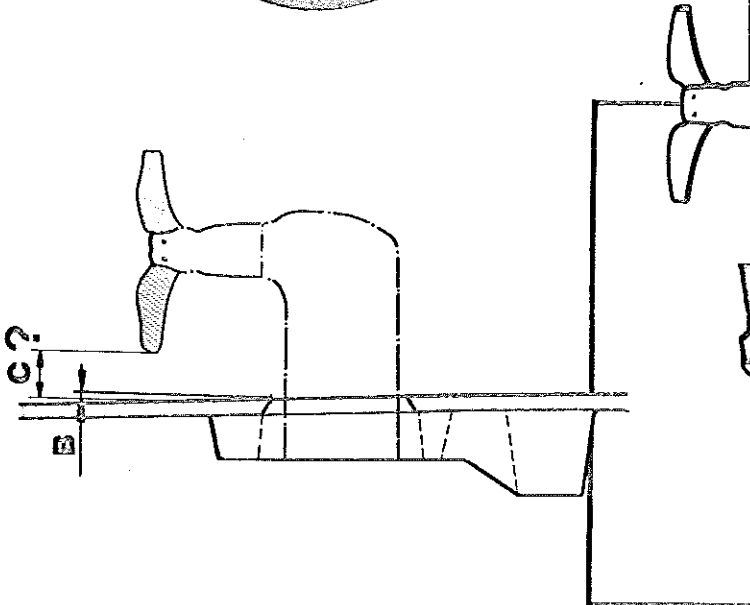
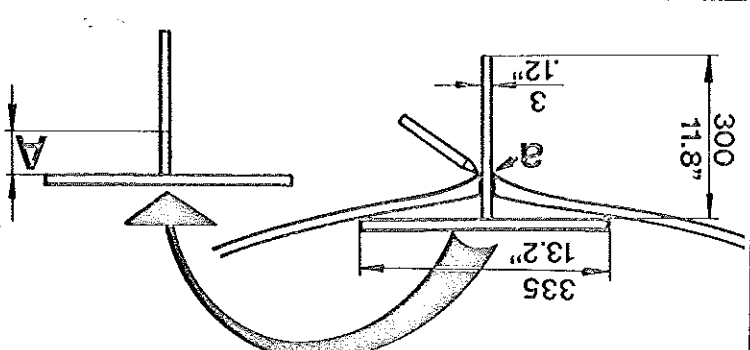
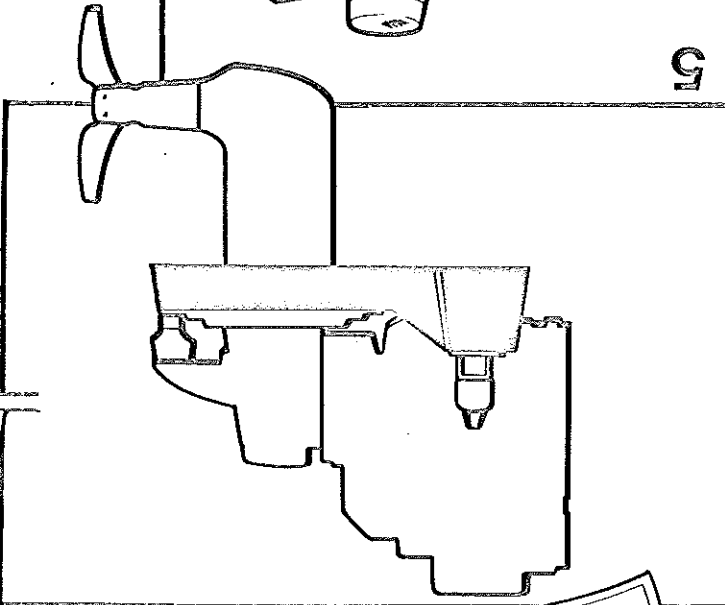
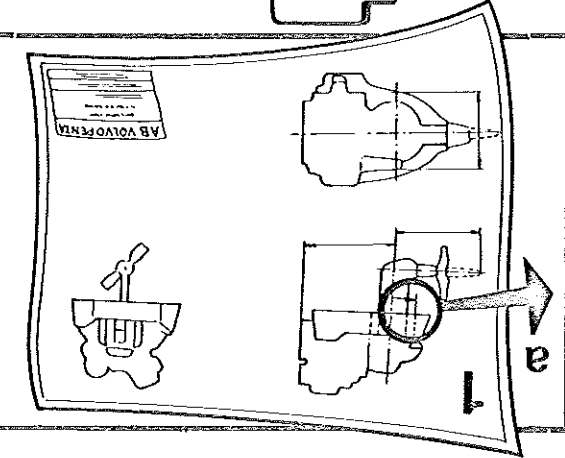
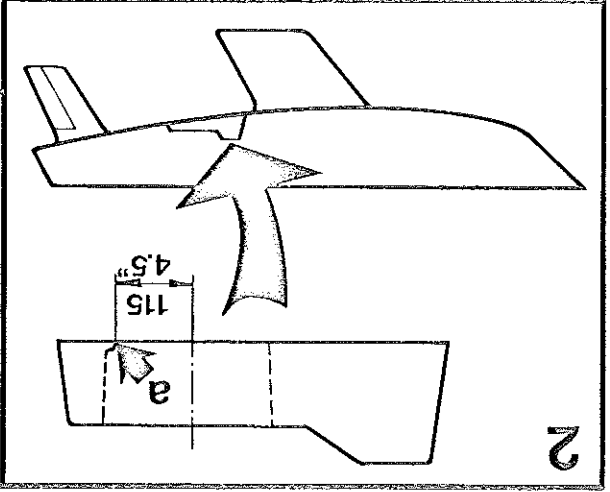
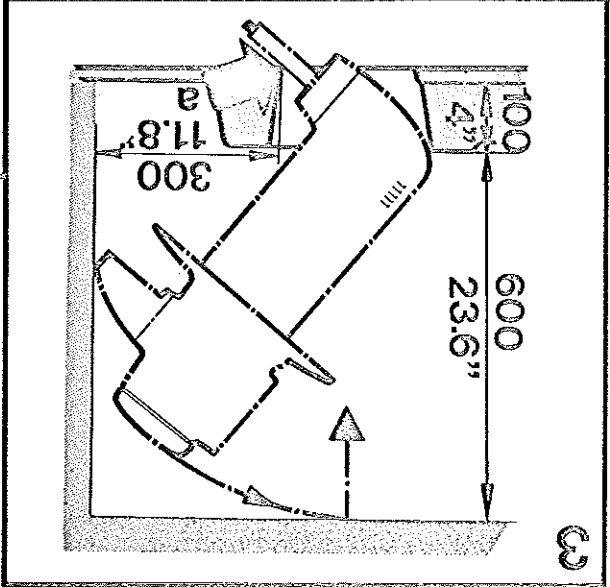
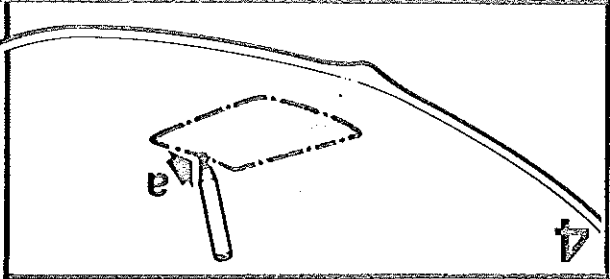


Publ No 3233  
MAY 1976

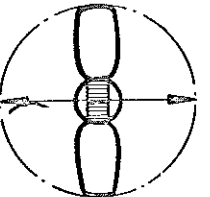
# INSTALLATION

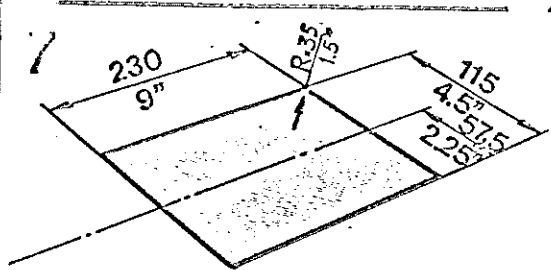
## VOLVO PENTA S-DRIVE



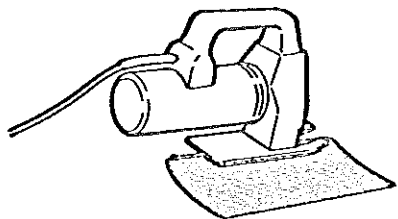


$C = \min(20(.8))$   
 (14)  $C = 144 (5.7) - A + B$   
 (15)  $C = 131 (5.2) - A + B$   
 (16)  $C = 119 (4.7) - A + B$

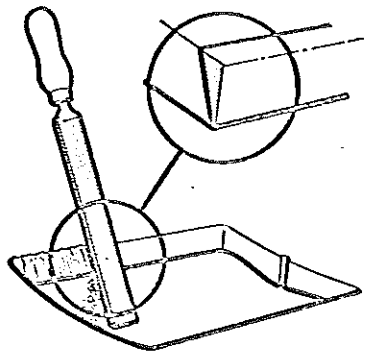




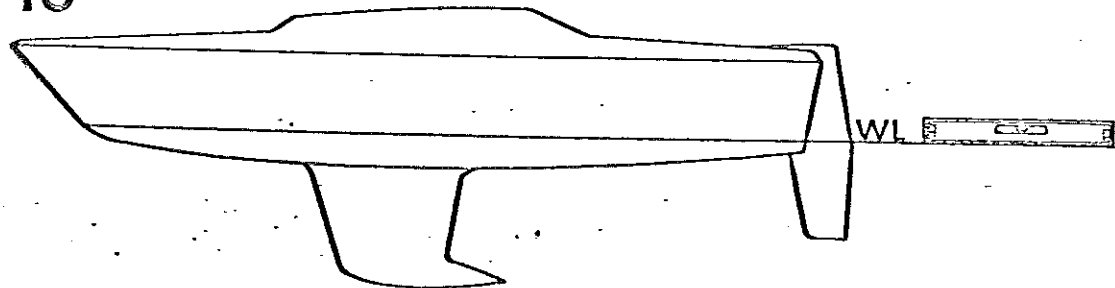
8



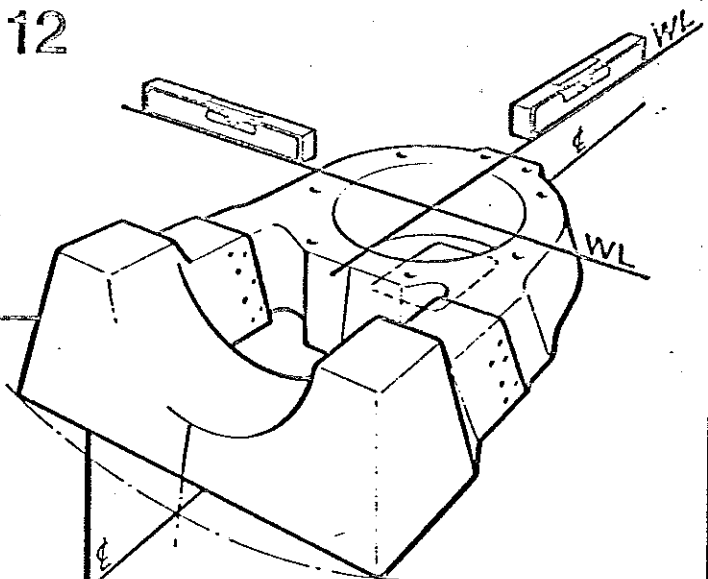
9



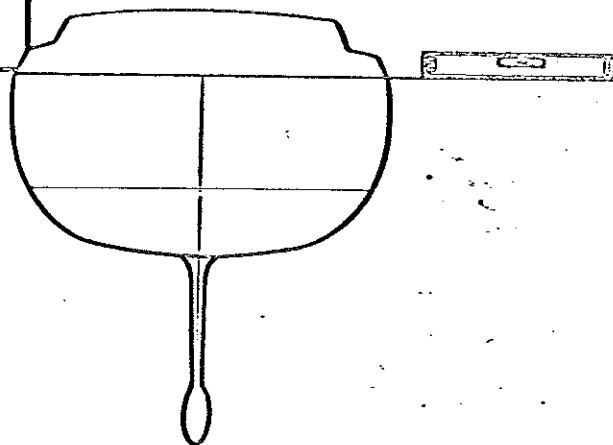
10



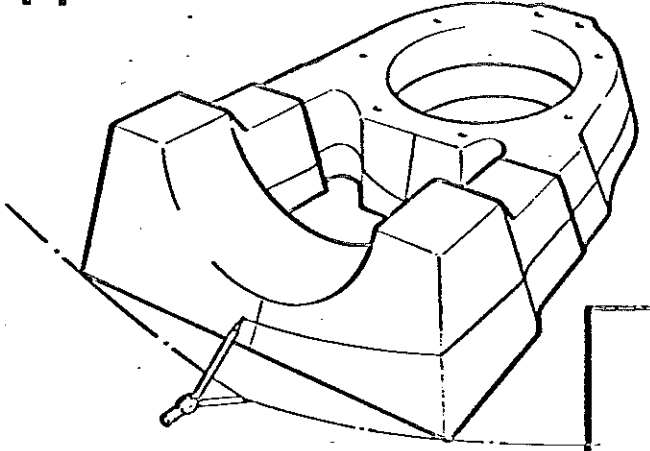
12



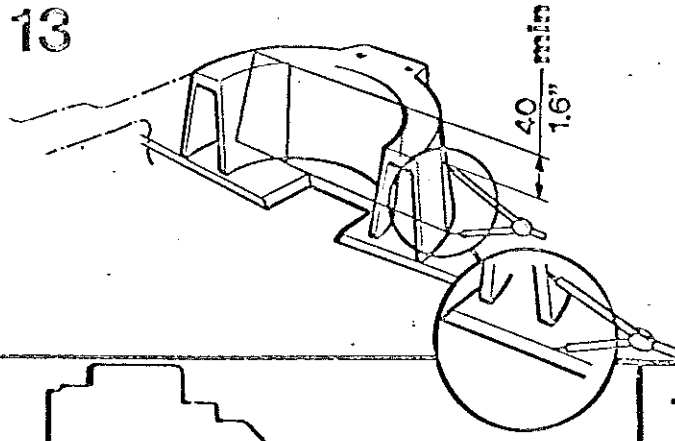
11



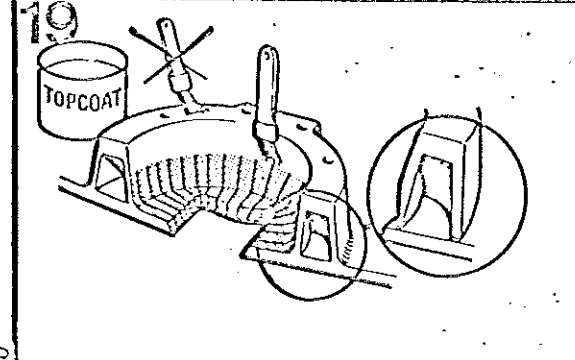
14



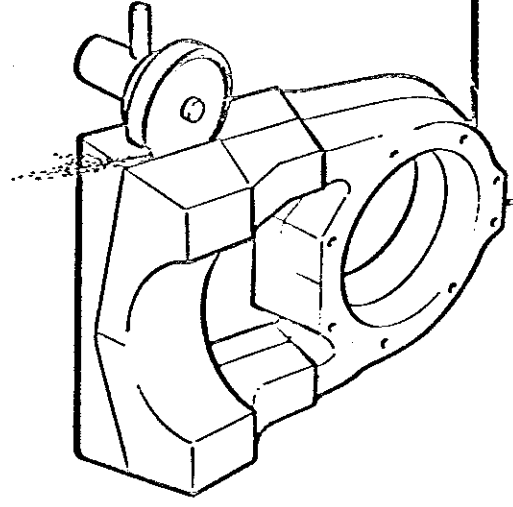
13



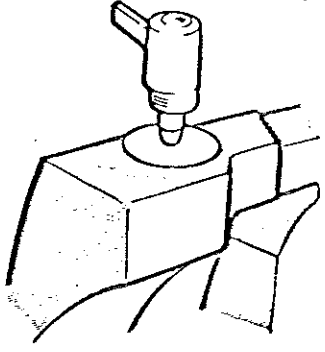
19



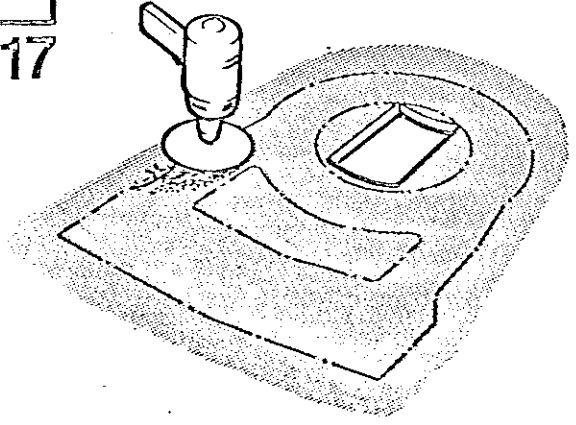
15



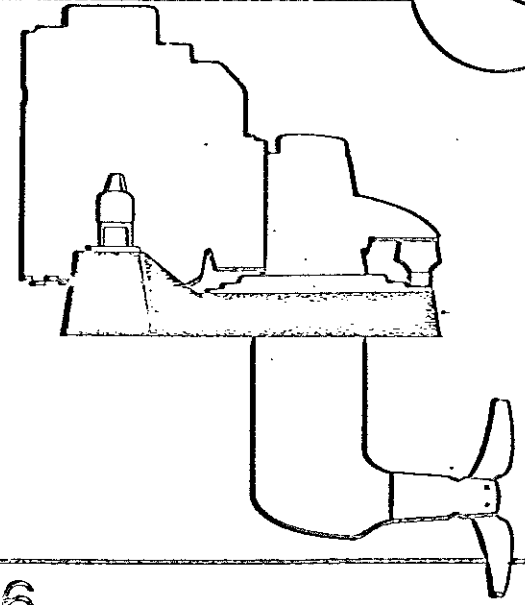
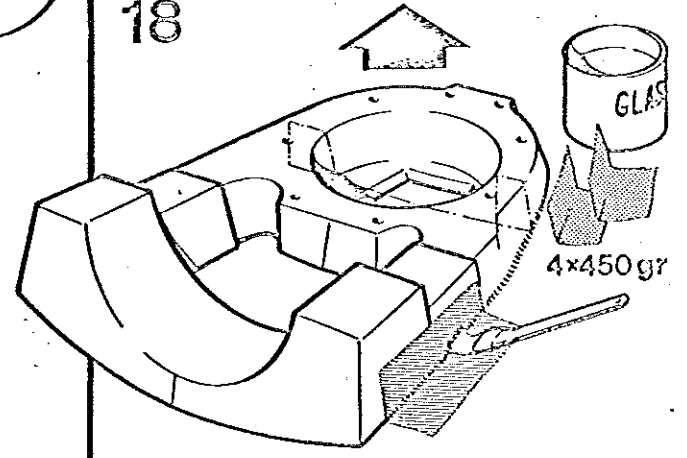
16



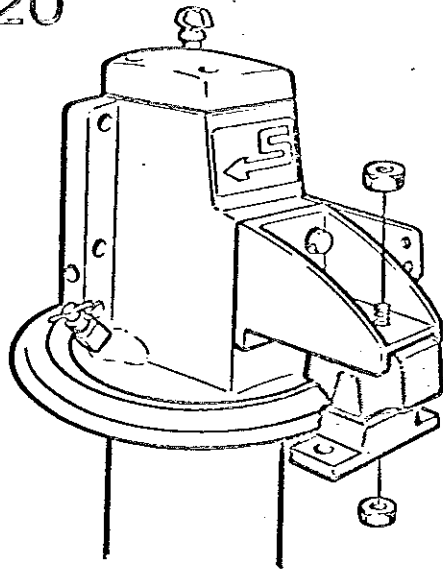
17



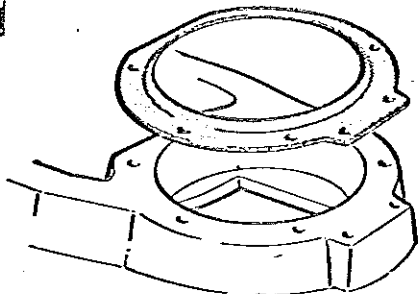
18



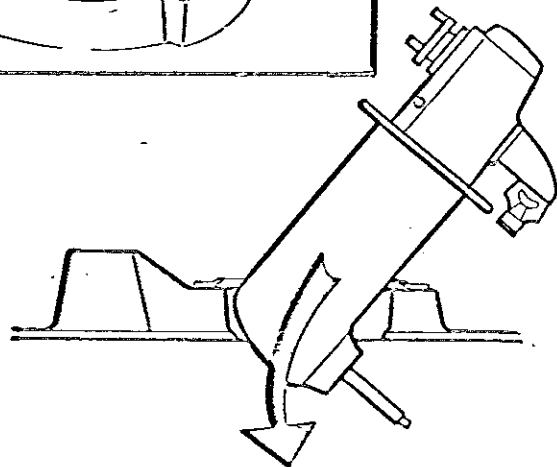
20



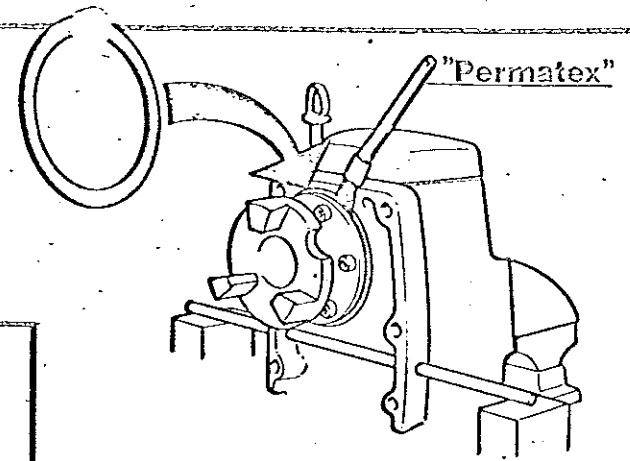
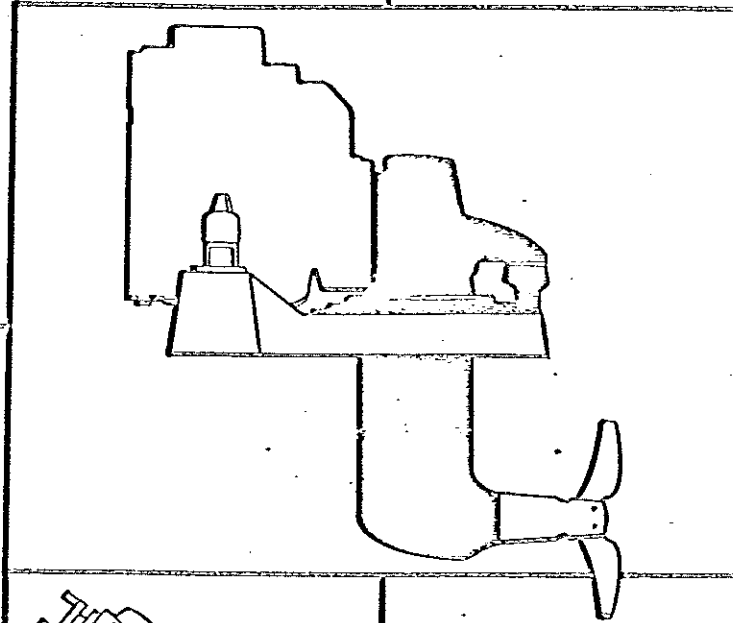
21



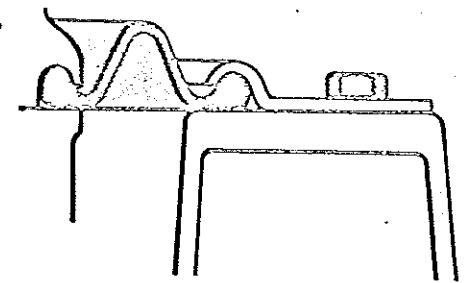
22



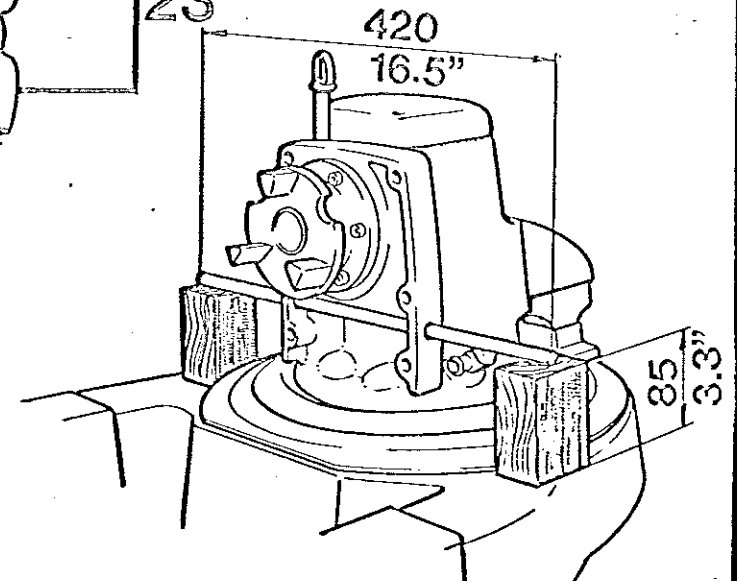
25

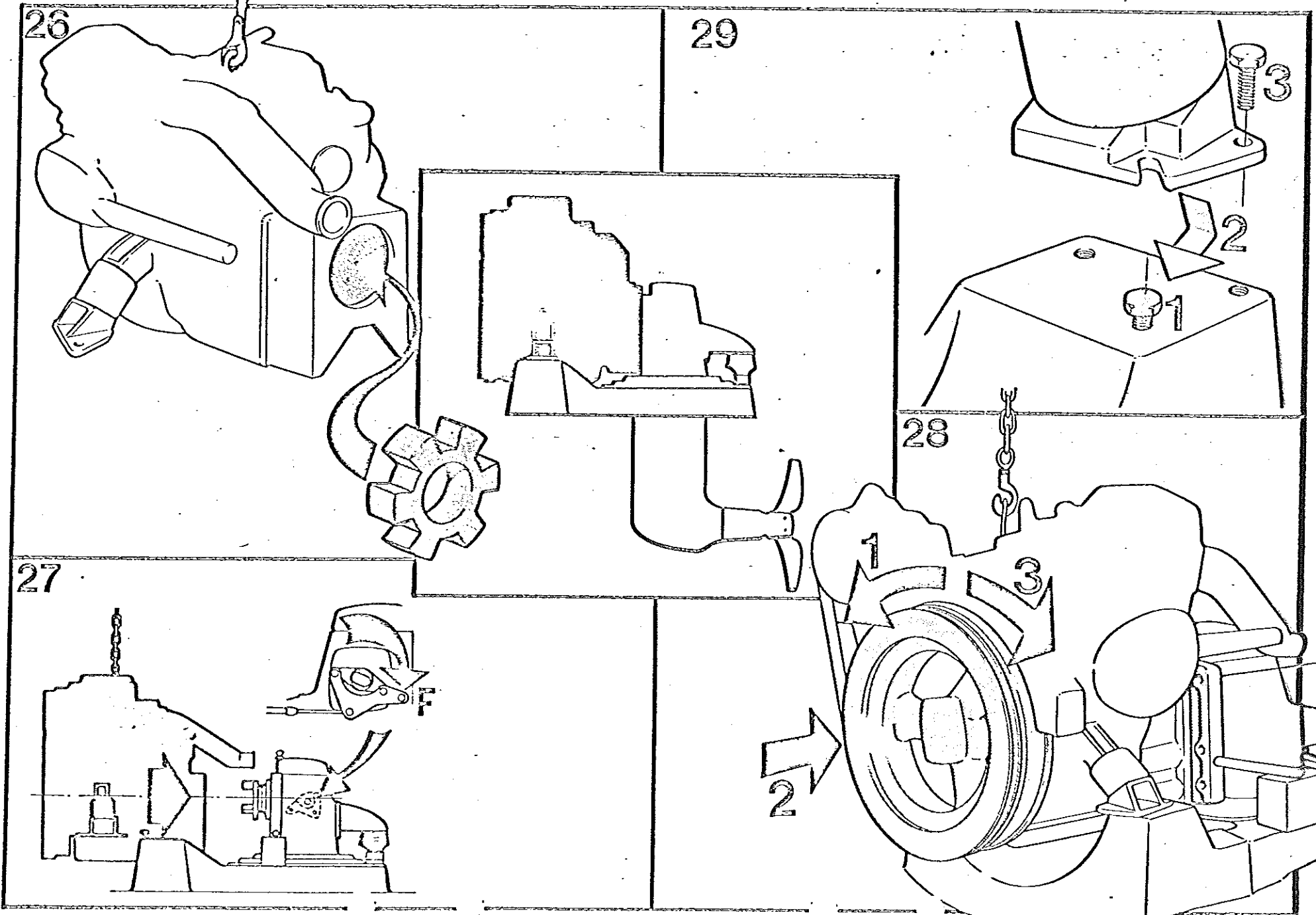


24

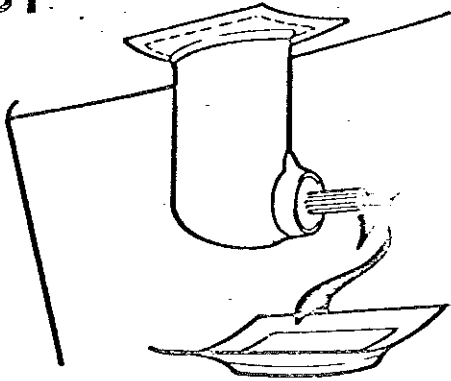


23

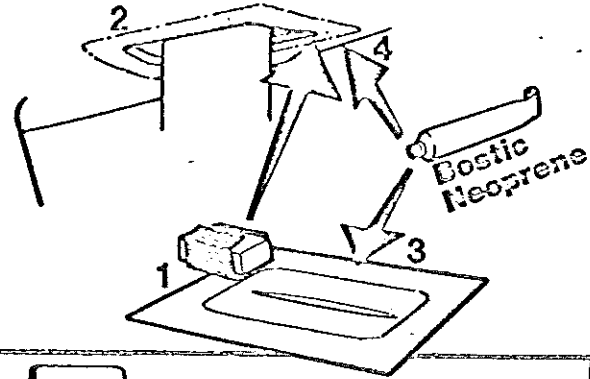




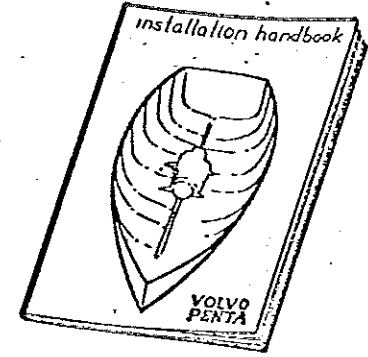
31



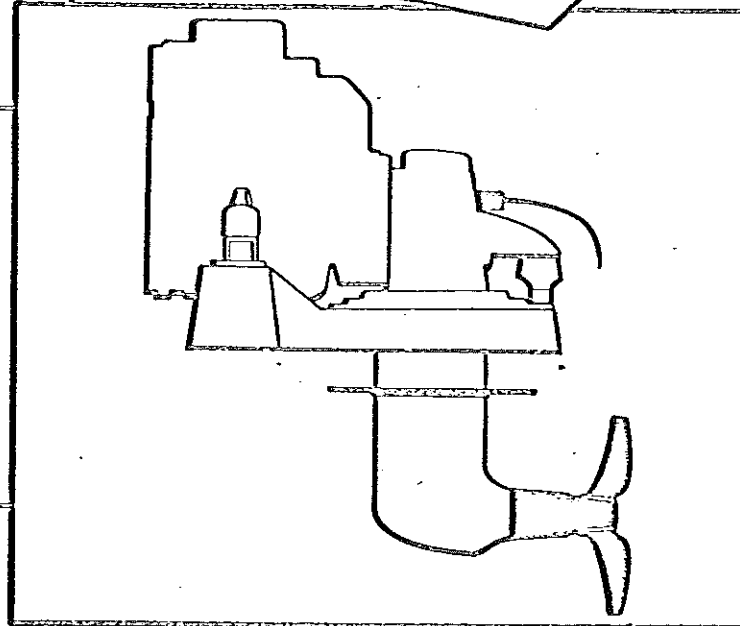
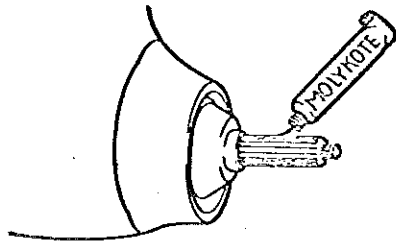
30



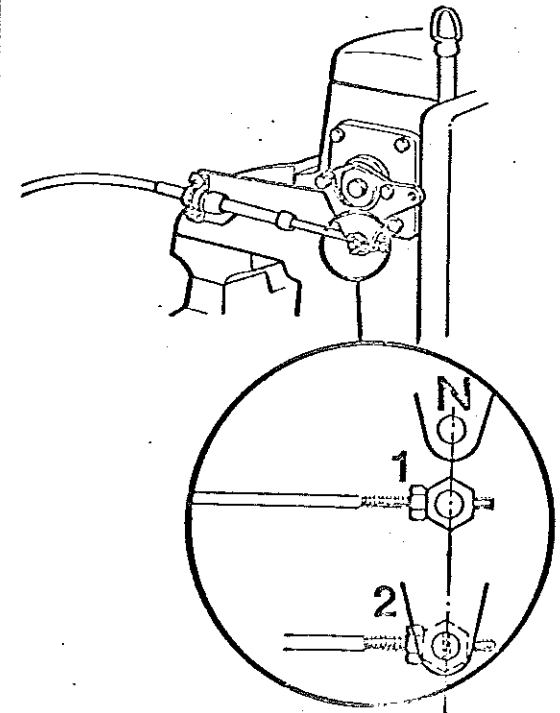
36



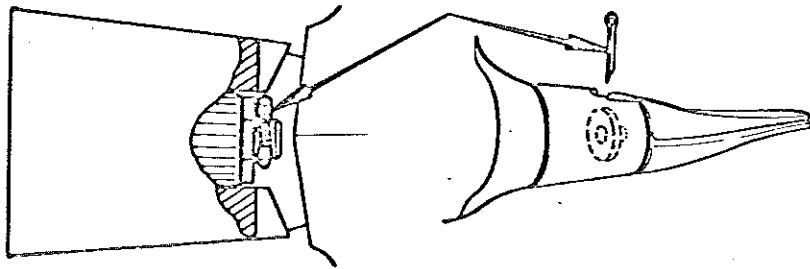
32



35



33



34

