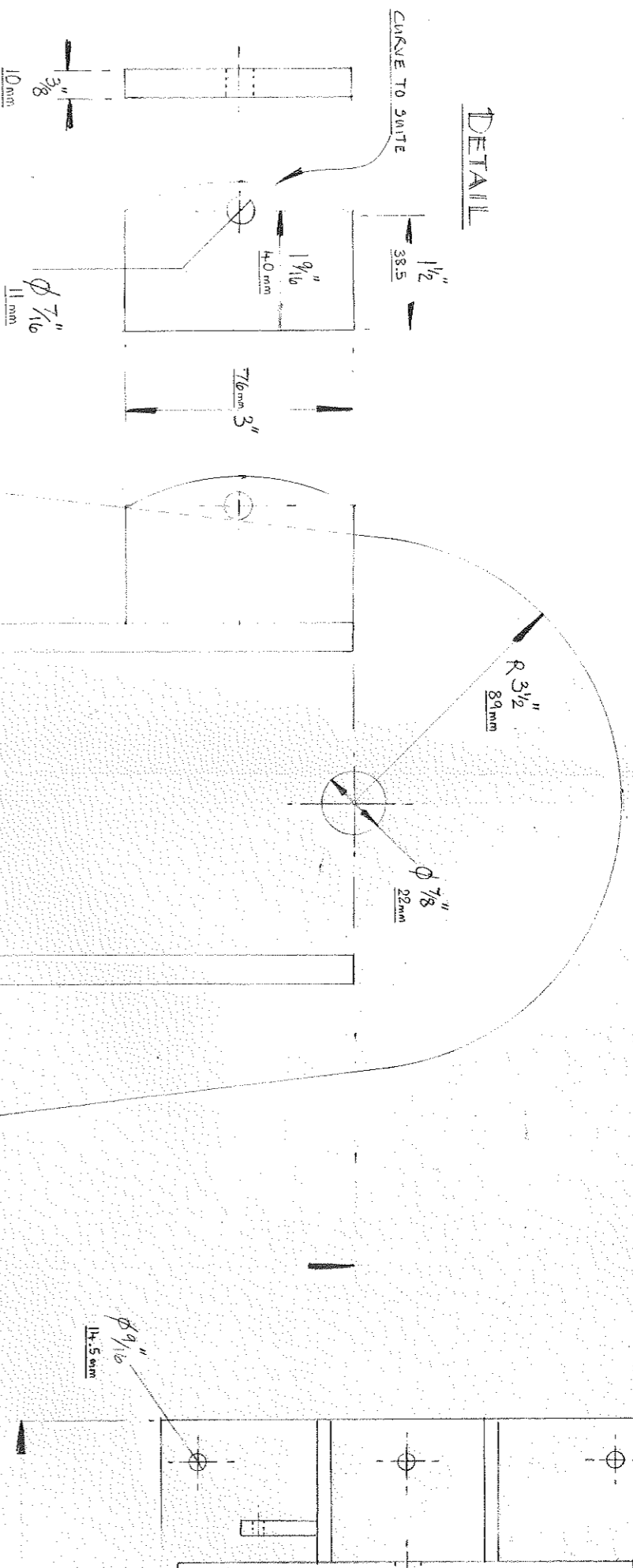


SIDE ELEVATION

4

BASE SHOW

SI
PL



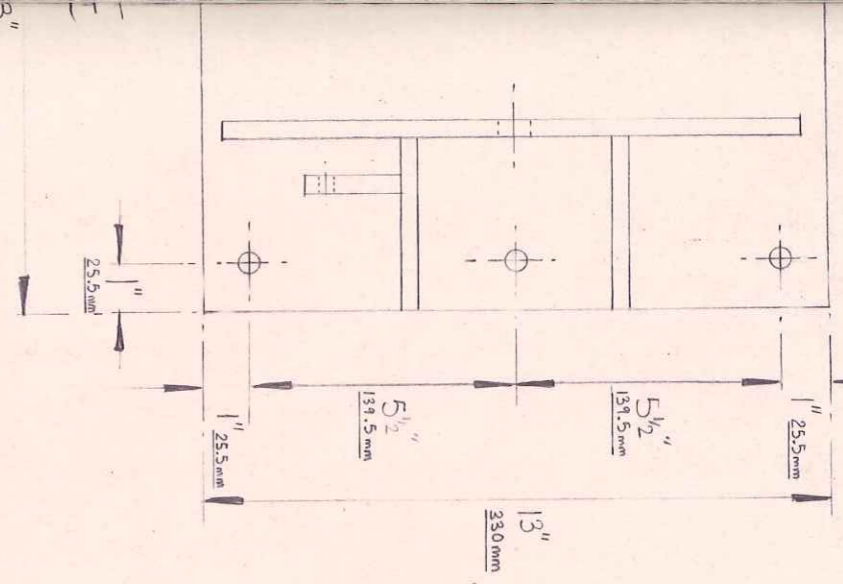
N
METRIC MEASUREMENTS
ARE GIVEN
NEAR

FRONT ELEVATION

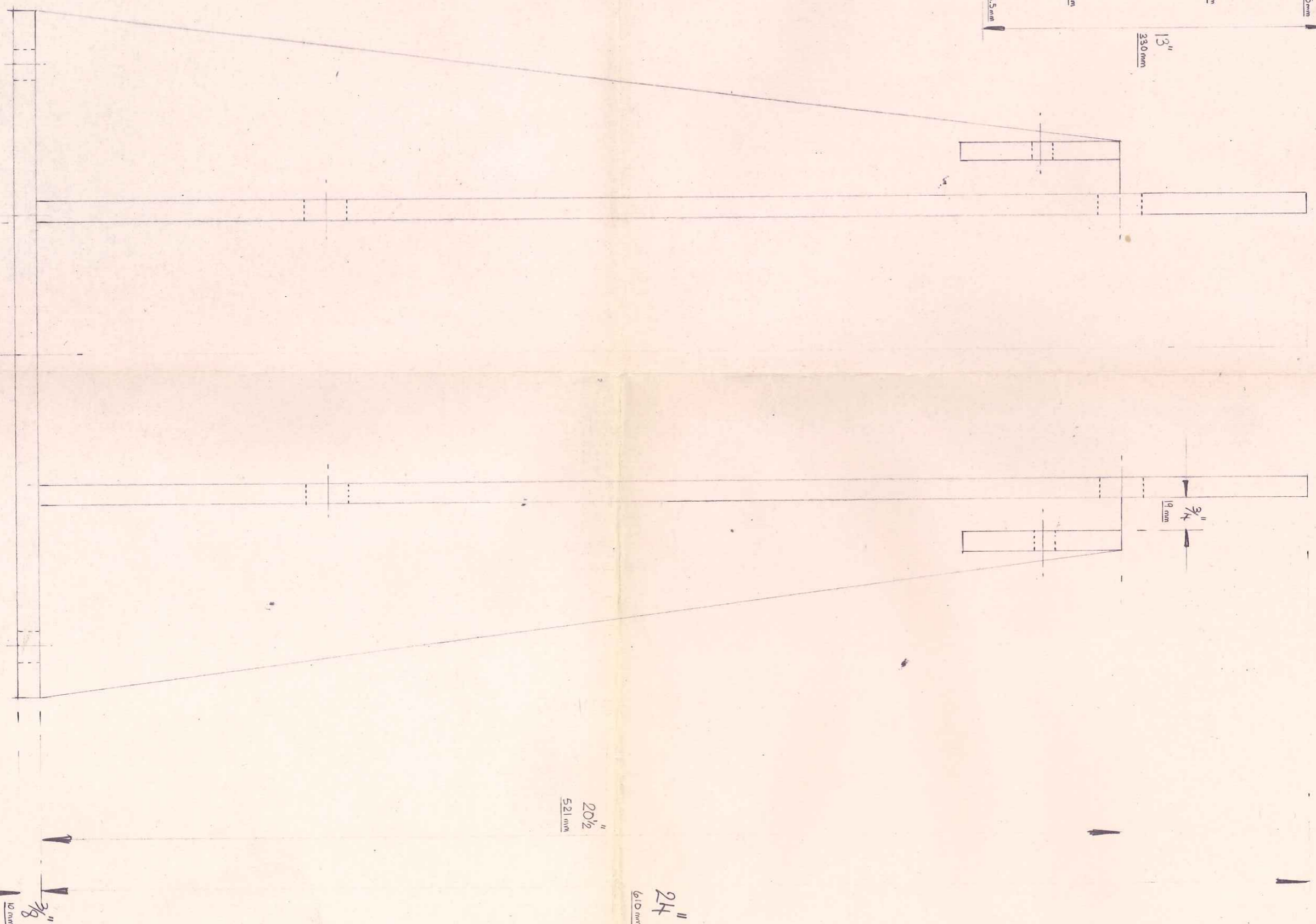
E

SCALE AT 1/4 FULL

SIZE



TELEPHONE MEASUREMENTS
 REFER TO DRAWING NO. 30-33-127



MARINE PROJECTS (PLYMOUTH) LTD.
 M30 - M33 TABERNACLE
 MATERIALS - MILD STEEL PLATE
 SCALE: 1/2 FULL SIZE DRWG. NO. 30-33-127