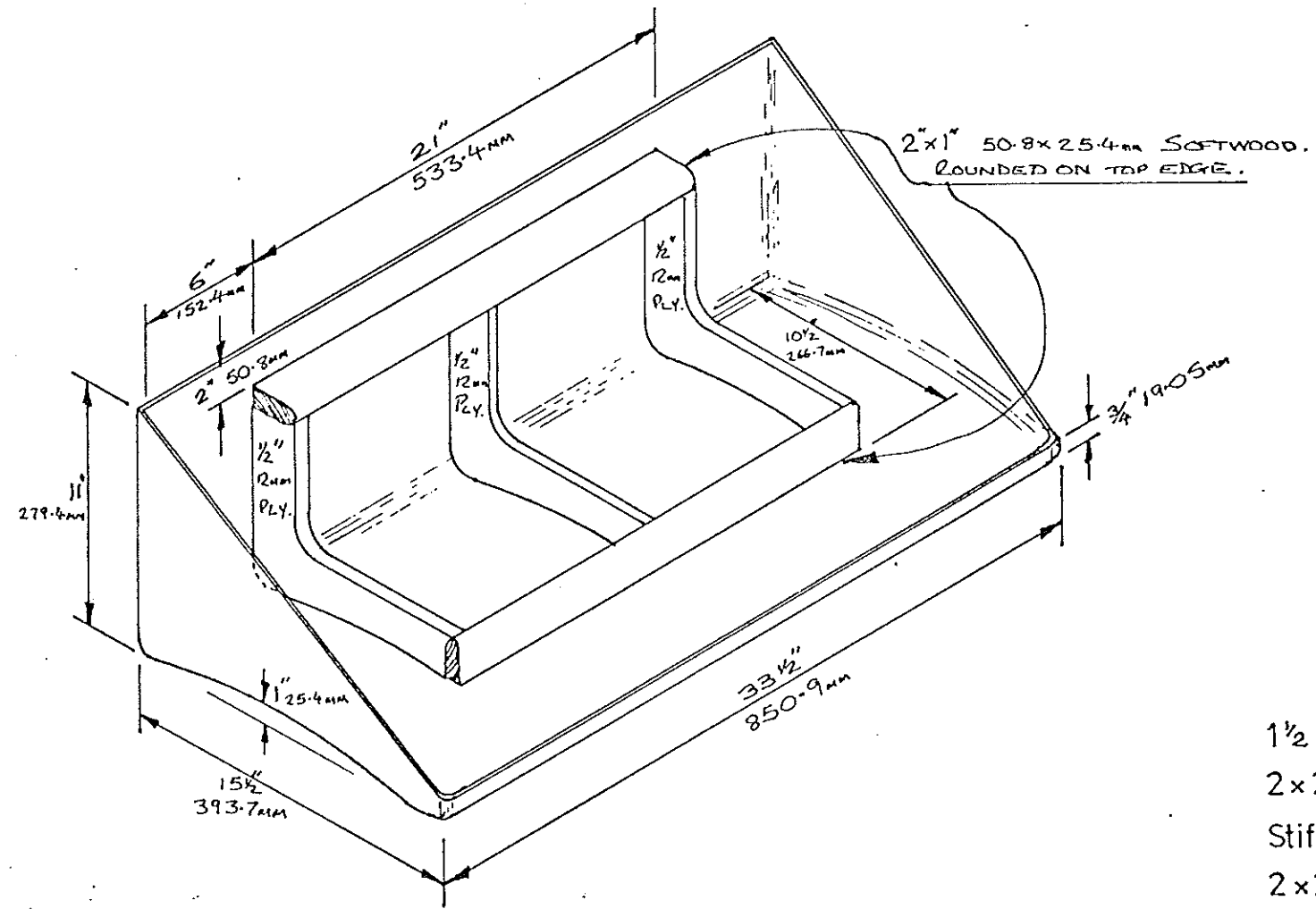


Moody 30 LOCKER HATCH:- STIFFENING. (B)

Material Drawn by C. CULLEN Date 29-APRIL 77 Scale $1\frac{1}{2}'' = 1'-0''$ Drwg. No M30-087

MARINE PROJECTS PLYMOUTH LTD
Newport Street, Plymouth. Telephone



LAYUP

$1\frac{1}{2}$ oz	=	$1\frac{1}{2}$
2x2oz	=	4
Stiffening		
2x2	=	4
		$9\frac{1}{2}$