

MOODY 30 COCKPIT HATCH (C)

Material G.R.P.

Drawn by RCT.

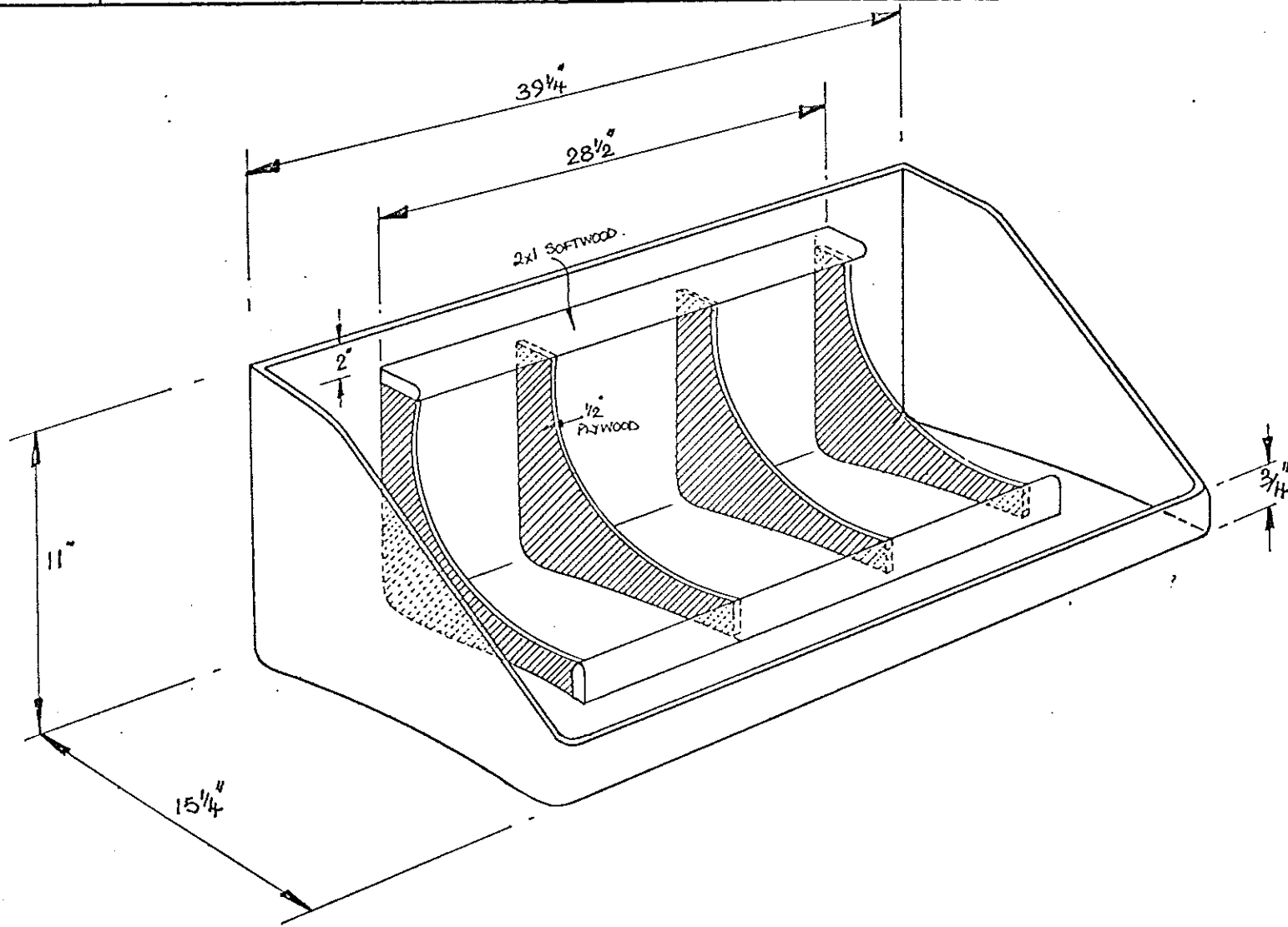
Date MAY. 77.

Scale NOT TO SCALE

Drwg. No M30-097

MARINE PROJECTS PLYM

Newport Street, Plymouth.



LAYUP

- $1\frac{1}{2}$ oz =
- 2x2 oz =
- Stiffening
- 2x2 oz =