

MOODY 30 COCKPIT HATCH (A)

Material G.R.P.

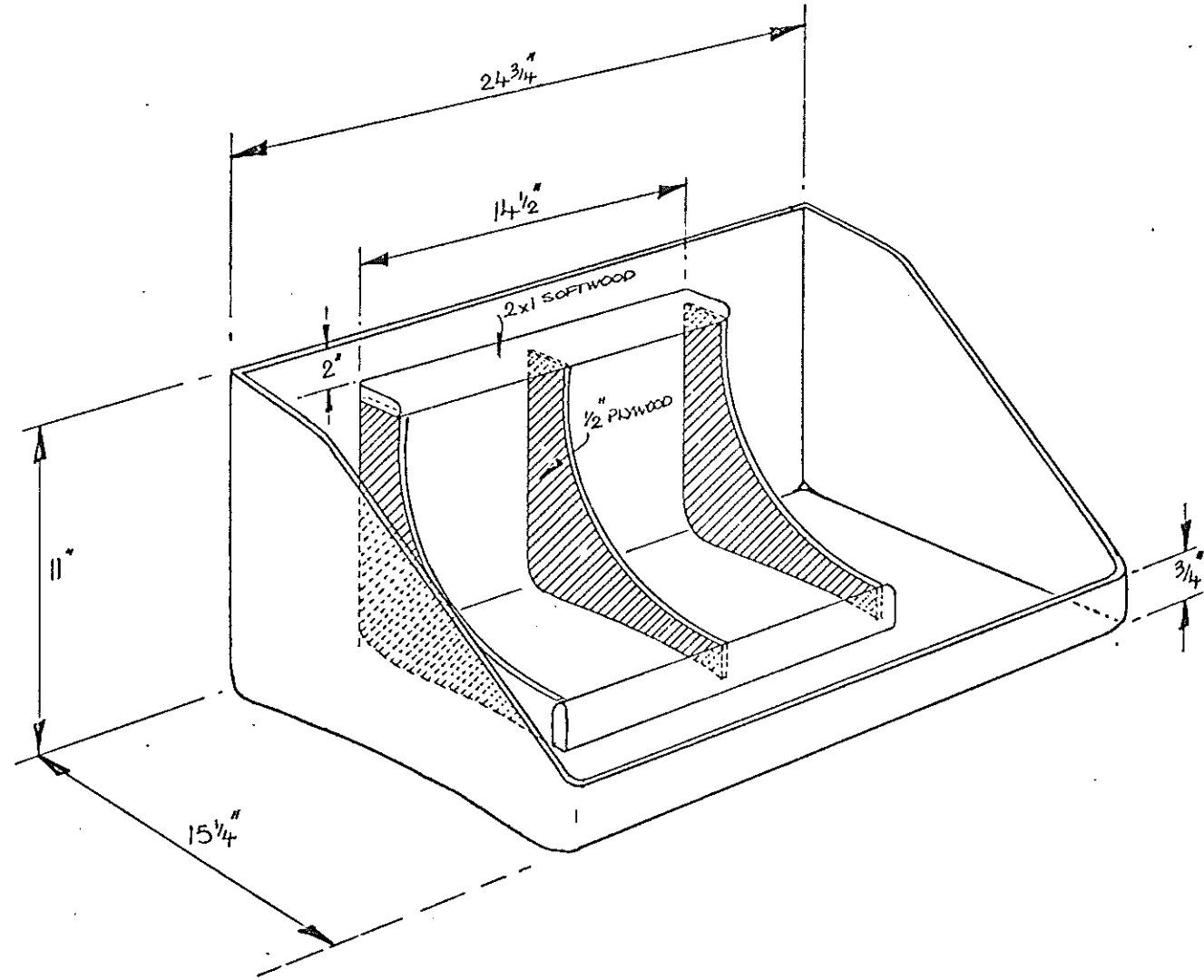
Drawn by ECT.

Date MAY. 77

Scale NOT TO SCALE

Drwg. No M30-096

MARINE PROJECTS PLYMOUTH
Newport Street, Plymouth. Telephone



LAYUP

1 1/2 oz	=	1 1/2
2 x 2oz	=	4
Stiffening		
2 x 2 oz	=	4
		<hr/>
		9 1/2