

MOODY 30 FUEL TANK

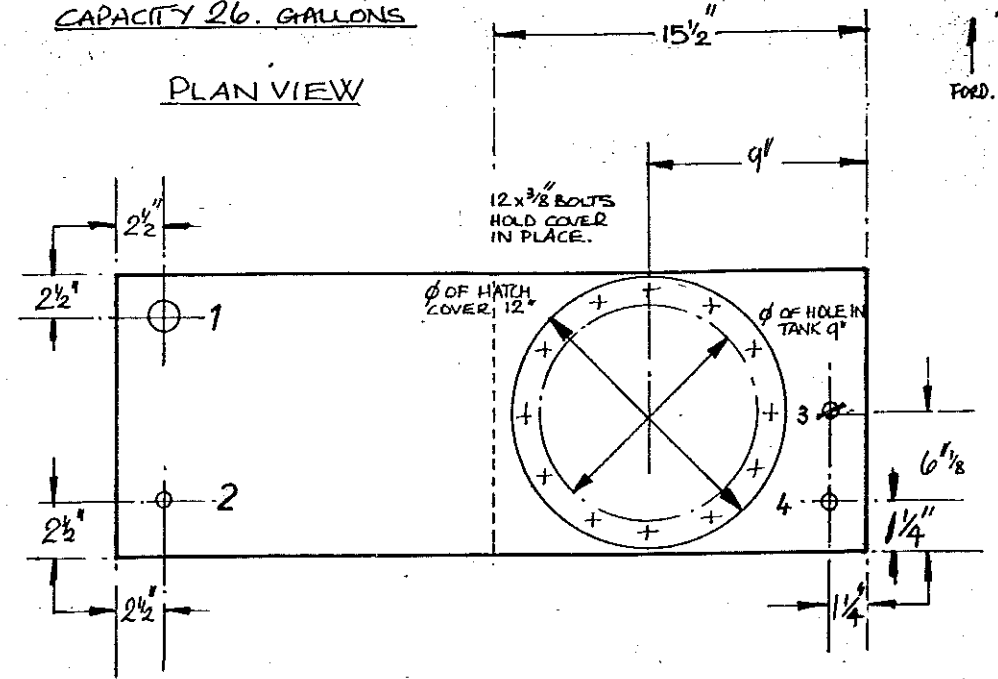
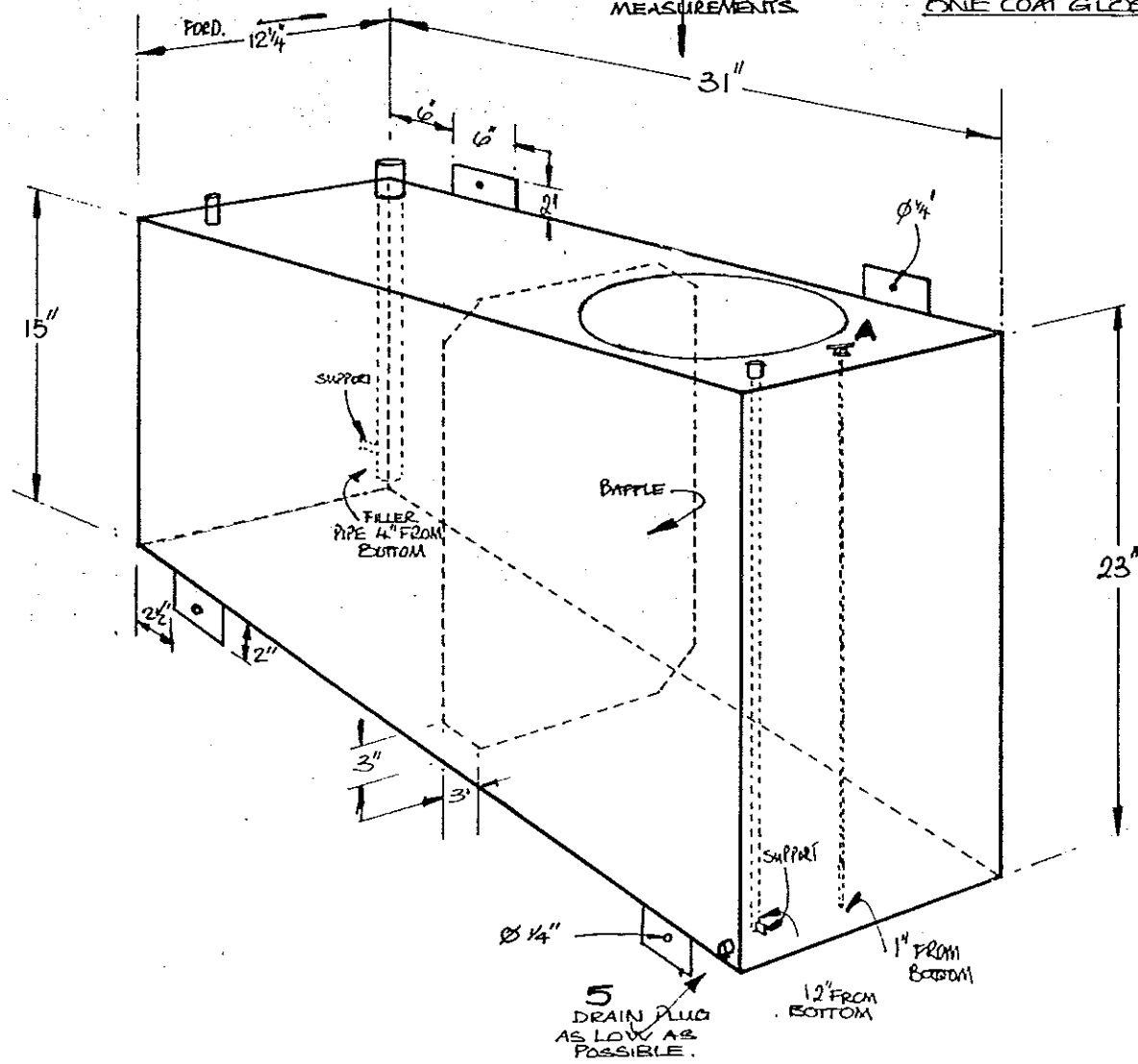
16 SWG TEST TO 81BS P.S.I.
ALL TANKS SHOULD BE CLEANED & PAINTED

MARINE PROJECTS (PLYMOUTH) LTD OCT. 70

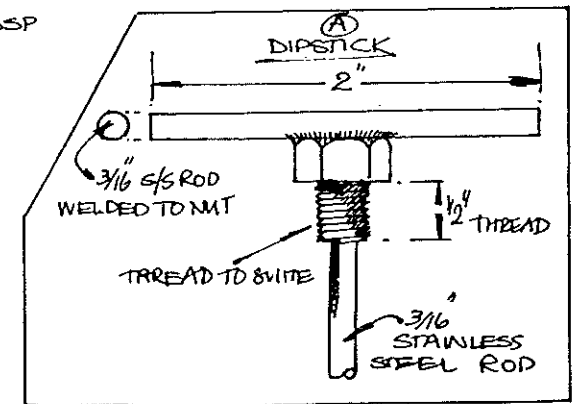
SEE PLAN VIEW FOR MEASUREMENTS

ONE COAT PRIMER
ONE COAT GLOSS

CAPACITY 26 GALLONS



- 1 - FILLER 1 1/4" x 2" HIGH B.S.P
- 2 - BREATHER 1/2" x 2" HIGH
- 3 - DIPSTICK (SEE SKETCH A)
- 4 - SUCTION 3/8" BSP NIPPLE 1" HIGH
- 5 - DRAIN PLUG 3/8 BSP



DRG. NO.
M 30 . 016