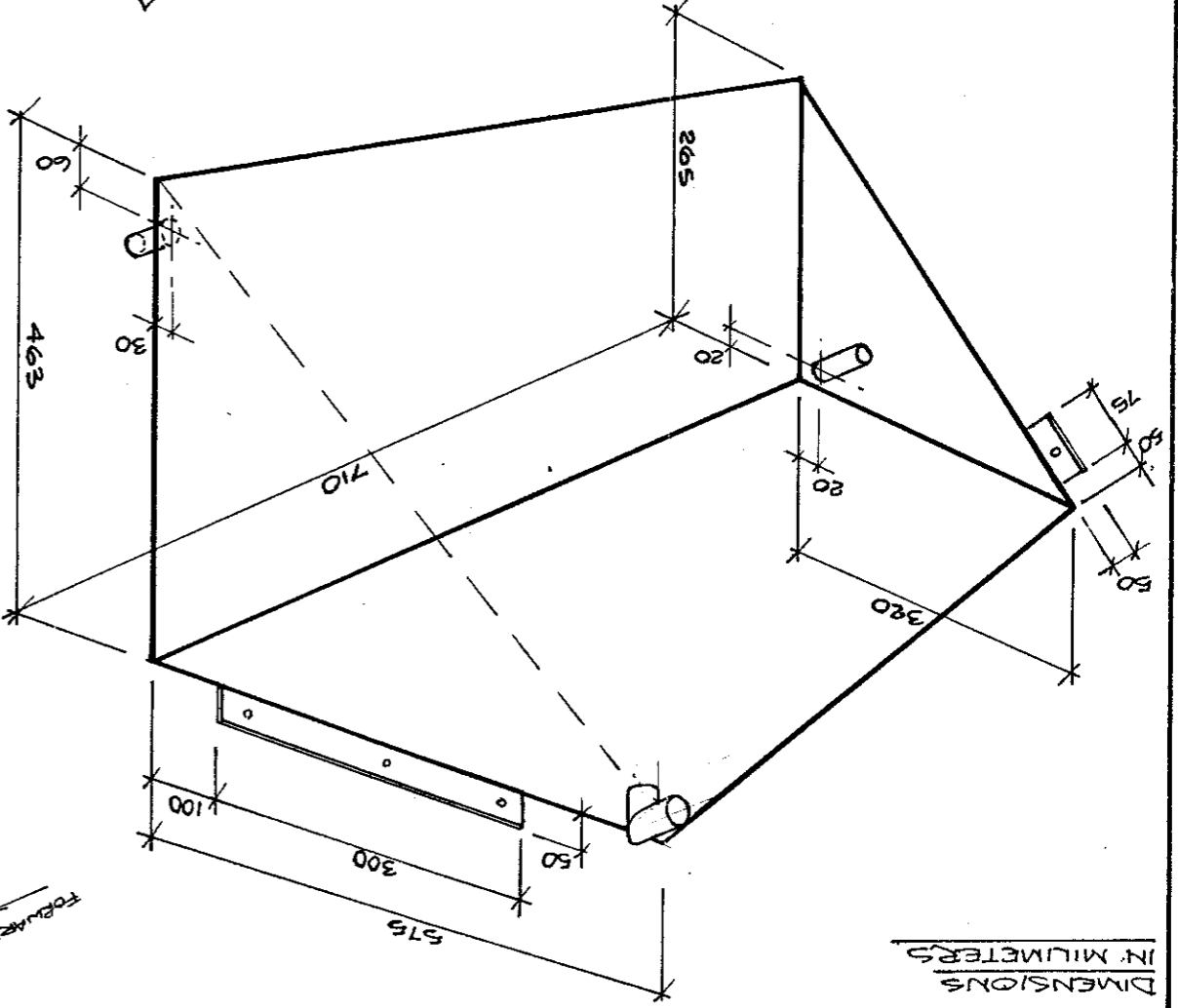




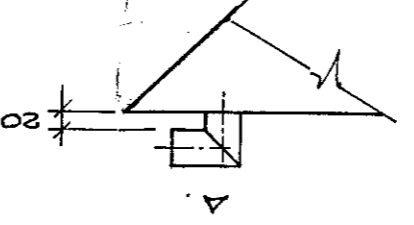
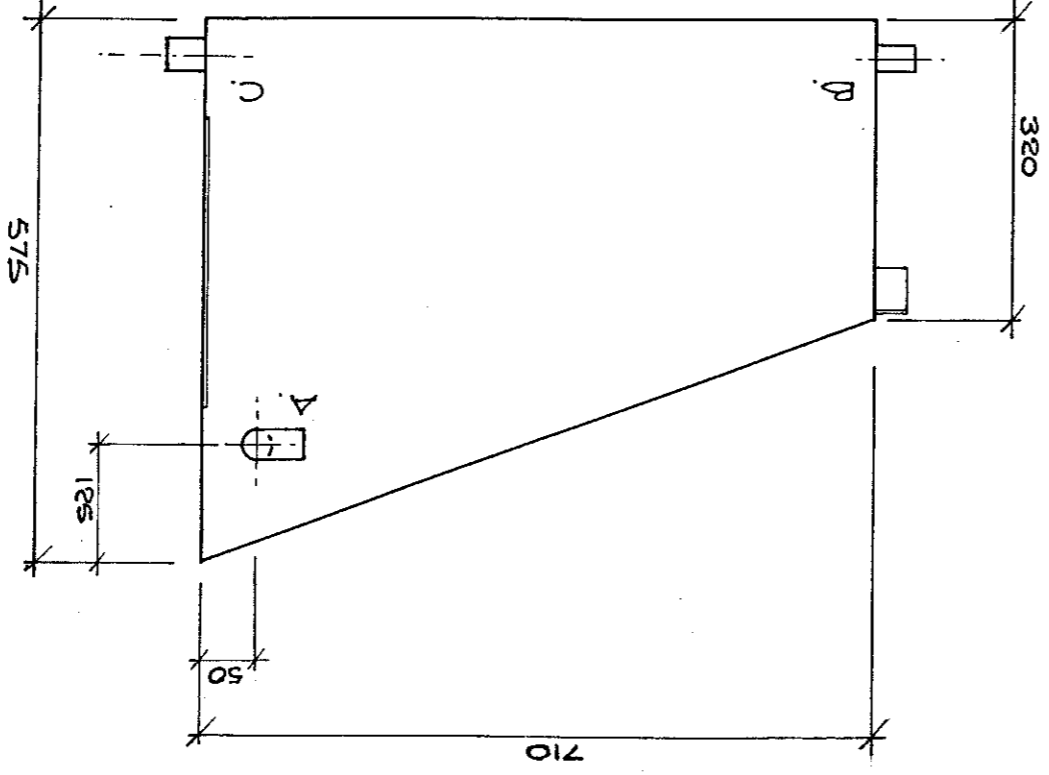
Title		MOODY 425		HOLDING TANK.		APPROX 13 GALS.	
Material		ALUMINUM		Drawn by		ECT	
Date		15.12.88		Scale		NTS.	
Drwg. No		M425.042		MARINE PROJECTS PLYMOUTH LTD. Newport Street, Plymouth. Telephone 27771			

Always work to figured dimensions in preference to scaled dimensions. Refer significant discrepancies to chargehand before putting work in hand.

DIMENSIONS  
IN MILLIMETERS



- A. INLET :- 1 1/2" O.D. ELBOW.
- B. BREATHER :- 1" O.D. x 1 1/2" LONG.
- C. OUTLET :- 1 1/2" O.D. x 2" LONG.



ISSUE A	DATE	MODIFICATION	INT.
ISSUE B	18.1.89	INLET ELBOW TURNED AFT. OUTLET NOW 2" LONG.	ECT



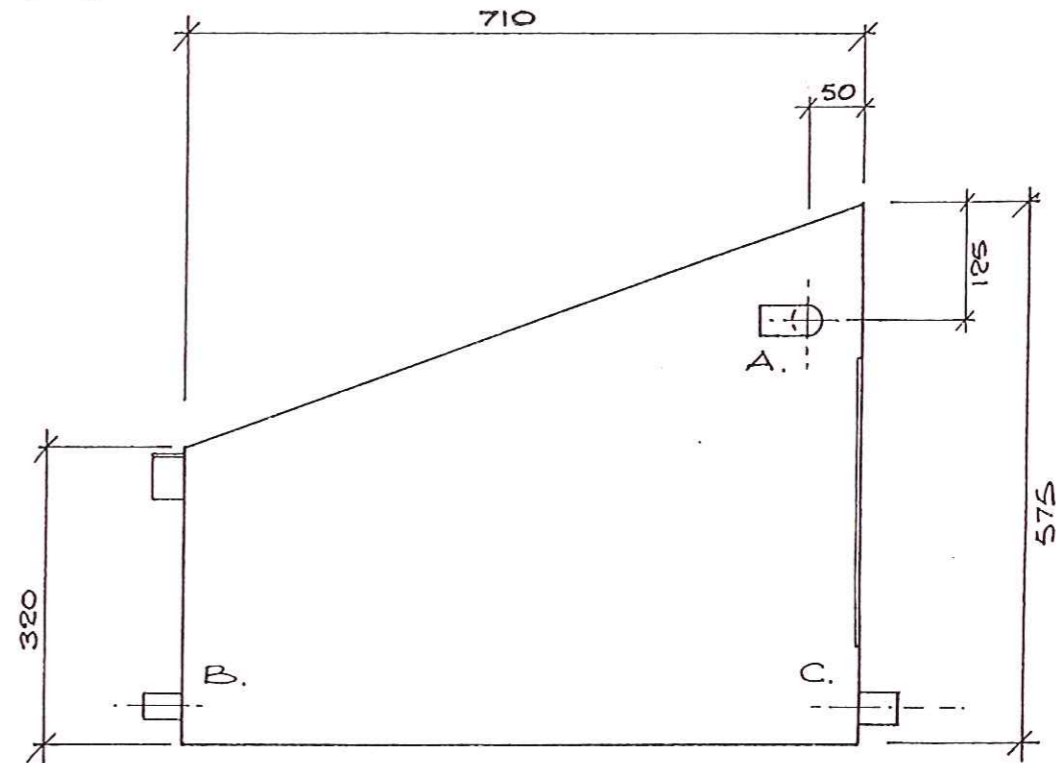
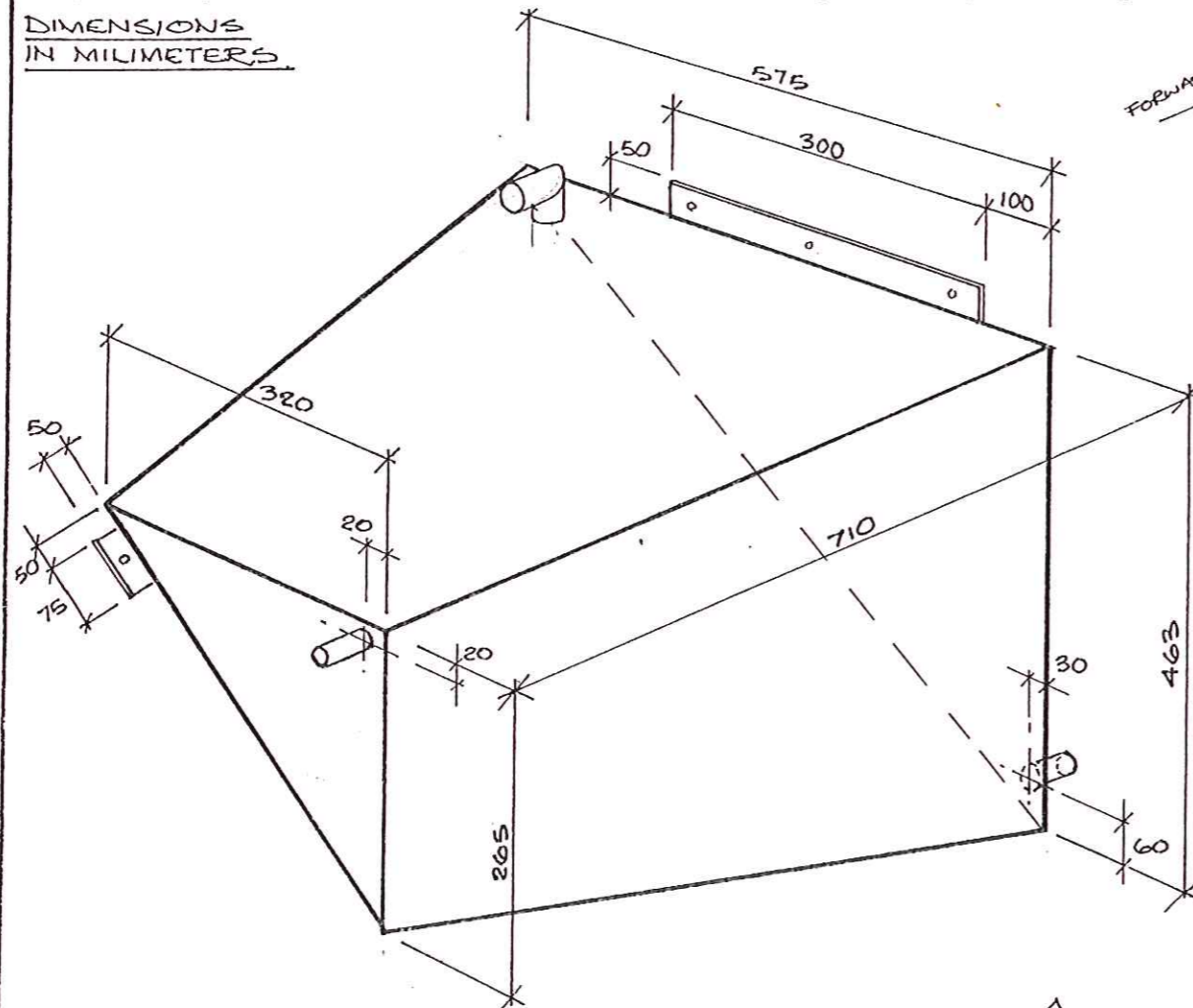
Title MOODY 425 HOLDING TANK. APPROX 13 GALS.

MARINE PROJECTS PLYMOUTH LTD.  
Newport Street, Plymouth. Telephone 27771

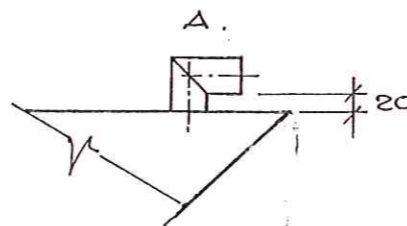
Material ALUMINIUM Drawn by ECT Date 18.12.88 Scale NTS. Drwg.No M425.042

Always work to figured dimensions in preference to scaled dimensions. Refer significant discrepancies to chargehand before putting work in hand.

DIMENSIONS  
IN MILLIMETERS.



- A. INLET :- 1 1/2" O.D. ELBOW.
- B. BREATHER :- 1" O.D. x 1 1/2" LONG.
- C. OUTLET :- 1 1/2" O.D. x 2" LONG.



ISSUE	DATE	MODIFICATION	INT.
ISSUE 'B'	18.1.89.	INLET ELBOW TURNED AFT. OUTLET NOW 2" LONG.	ECT.
ISSUE 'A'			

UNCONTROLLED

ISSUED BY  
MARINE PROJECTS  
DRAWING OFFICE  
14 AUG 1996