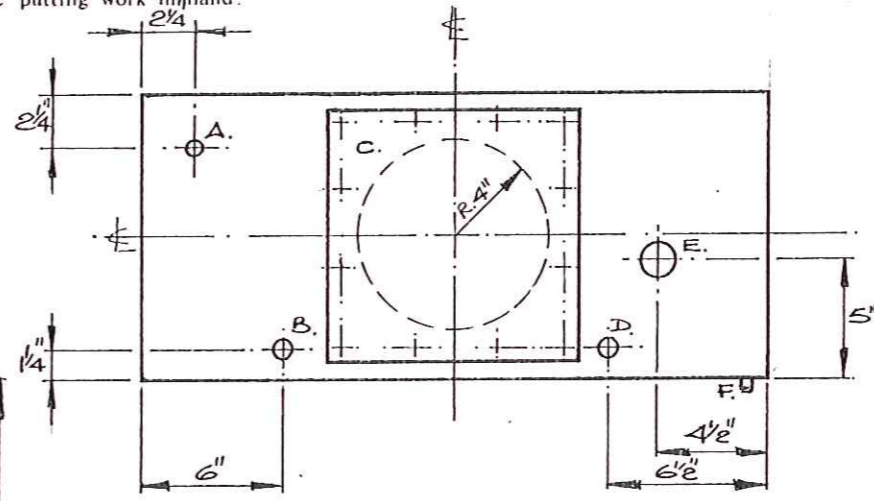
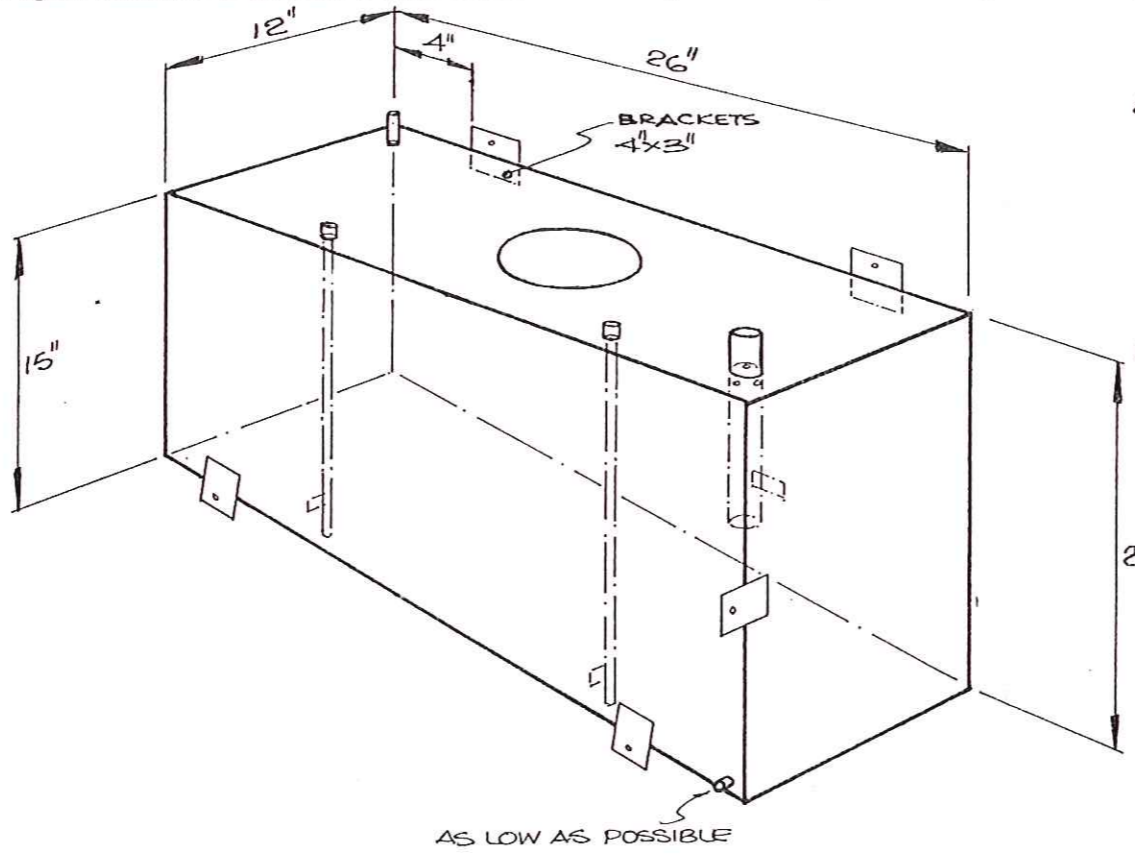


Title MOODY 27 FUEL TANK		(APPROX 20 GALLONS.)		MARINE PROJECTS PLYMOUTH LTD.	
Material MIS.	Drawn by ECT.	Date 21.5.84	Scale NTS.	Drwg. NO M27.036	Newport Street, Plymouth. Telephone 27771

Always work to figured dimensions in preference to scaled dimensions. Refer significant discrepancies to chargehand before putting work in hand.



- A. BREATHER, 3/4" O.D. x 2" HIGH.
- B. RETURN, 3/8" BSP. INCLUDING DOWNPIPE. STOP DOWNPIPE 3/4" FROM BOTTOM OF TANK.
- C. INSPECTION HATCH. STANDARD. 8" DIA. HOLE.
- D. SUCTION, 3/8" BSP. INCLUDING DOWNPIPE. STOP DOWNPIPE 3/4" FROM BOTTOM OF TANK.
- E. FUEL FILLER, 2" I.D. x 3" HIGH. WITH 6" DOWNPIPE. DRILL THREE 10MM DIA. HOLES JUST BELOW TANK SURFACE.
- F. DRAIN PLUG, 3/8" BSP.

UNCONTROLLED

ISSUED BY
MARINE PROJECTS
DRAWING OFFICE
01 DEC 1994

TEST TANK TO 5 lbs. p.s.i.
CLEAN. ONE COAT PRIMER. ONE COAT GLOSS.