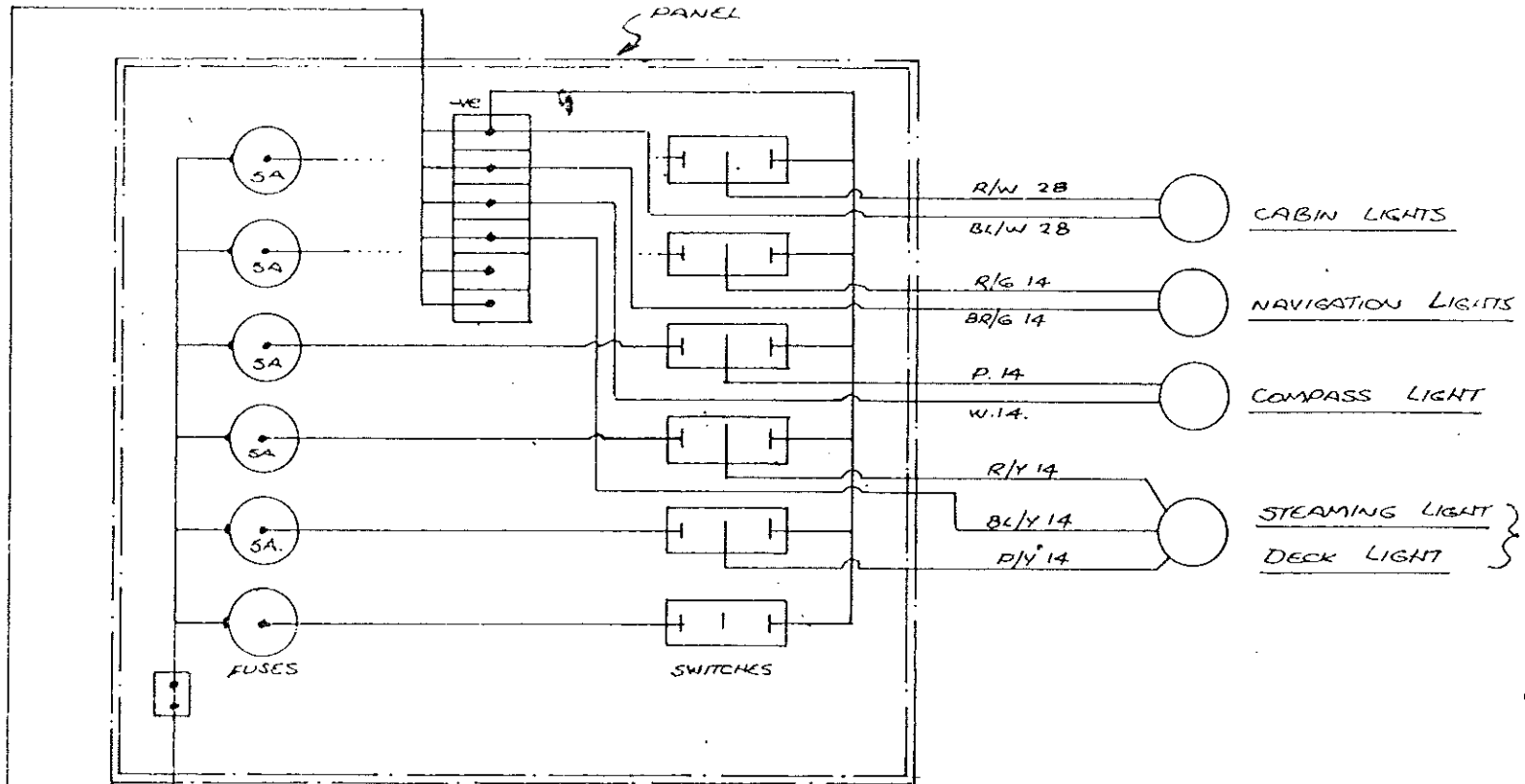


Title **MOODY 27 SWITCH & FUSE PANEL WIRING DIAGRAM**  
 Material **—** Drawn by **DAN** Date **10.9.82** Scale **—** Drwg.No **M27-029.**

**MARINE PROJECTS PLYMOUTH L**  
 Newport Street, Plymouth. Teleph

COLOUR CODING.

R/W 28	RED/WH
BL/W 28	BLUE/WH
R/G 14	RED/BRO
BR/G. 14	BROWN/
P. 14	PURPLE
W. 14	WHITE
R/Y 14	RED/YE
BL/Y 14	BLUE/YE
P/Y 14	PURPLE,
BR/WH 97	BROWN/
BR. 97	BROWN



DECK SOCKET.

BR/WH 97

BR. 97