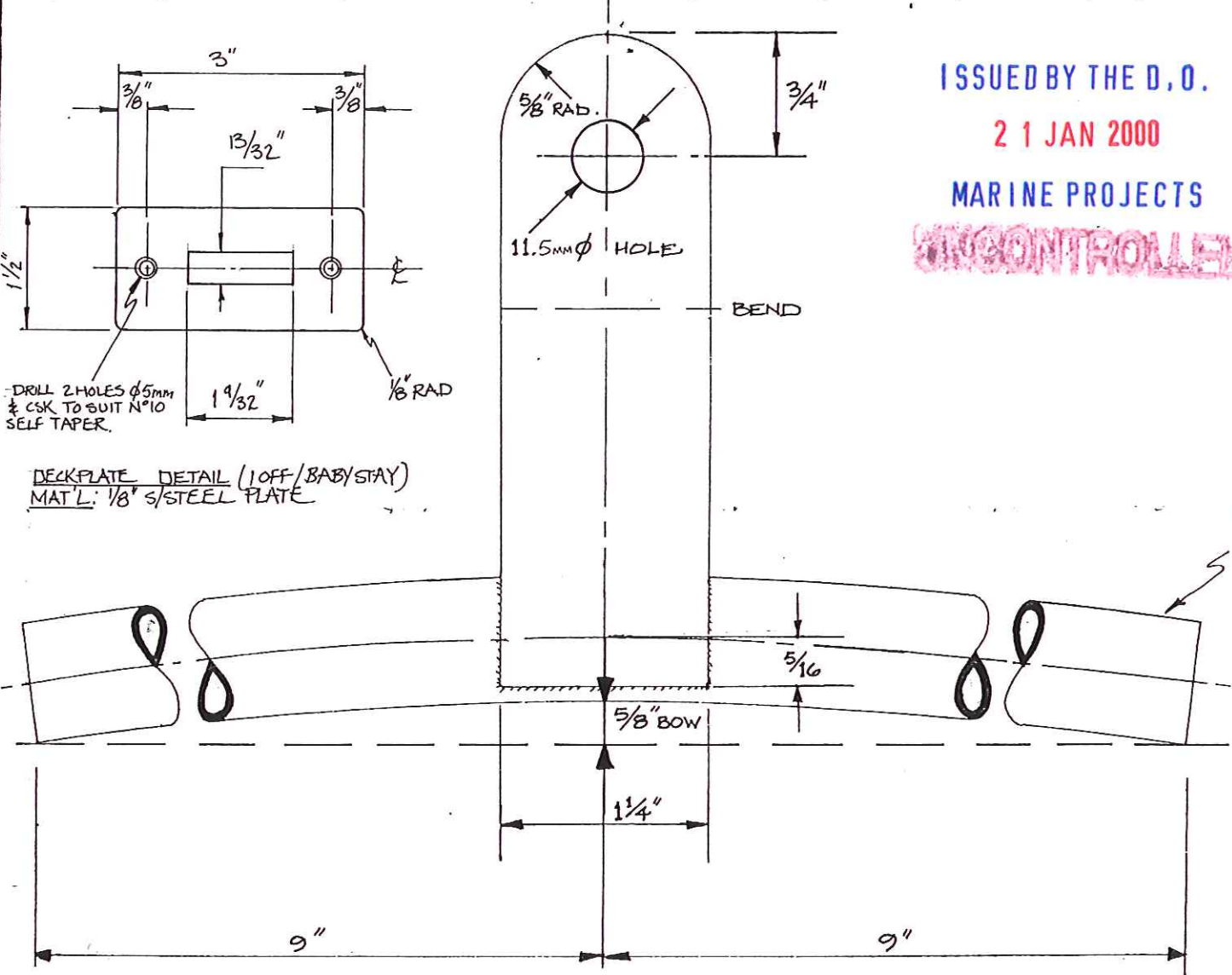


Material S. STEEL	Drawn by APY	Date 1-4-86	Scale N.T.S.	Drwg. No M28 009
----------------------	-----------------	----------------	-----------------	---------------------

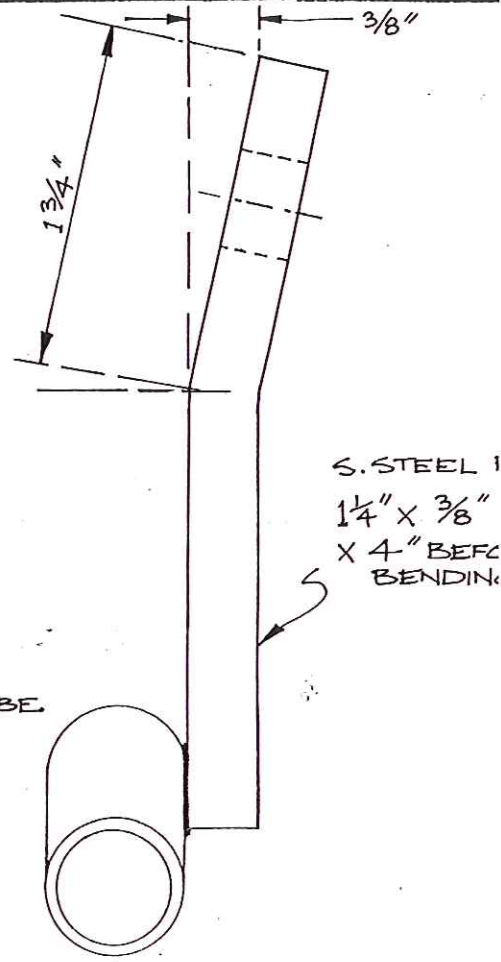
Always work to figured dimensions in preference to scaled dimensions. Refer significant discrepancies to chargehand before putting work in hand.



DRILL 2 HOLES $\phi 5\text{mm}$
& CSK TO SUIT N°10
SELF TAPER.

DECKPLATE DETAIL (1 OFF/BABYSTAY)
MAT'L: 1/8" S/STEEL PLATE

ISSUED BY THE D.O.
21 JAN 2000
MARINE PROJECTS
UNCONTROLLED



18" X
3/4" O.D.
S. STEEL TUBE

8-1-87	DECKPLATE DETAIL ADDED
13-10-86	VARIOUS DIMS (DWG, NO MODS.)
14-8-86	OFFSET ON ANGLE INCREASED ^{WAS 1/8"} NOW 3/8"
DATE	MODIFICATION