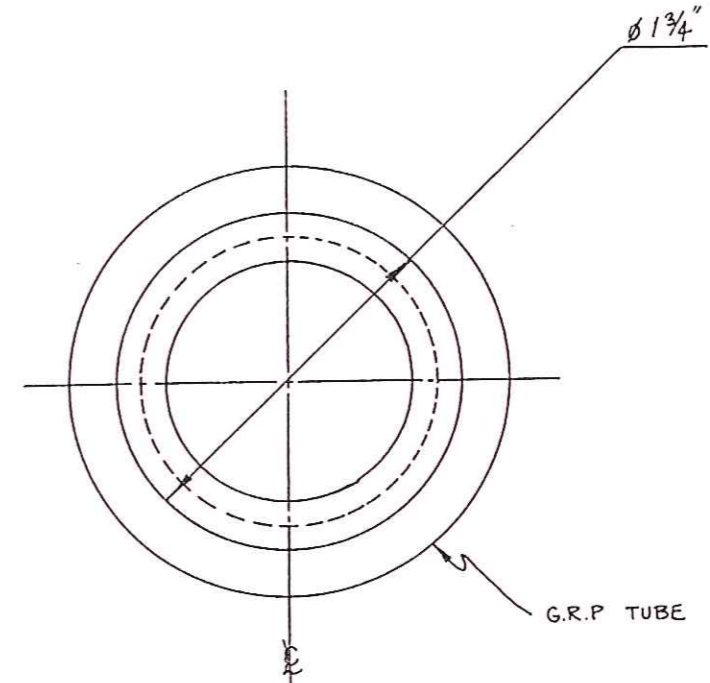
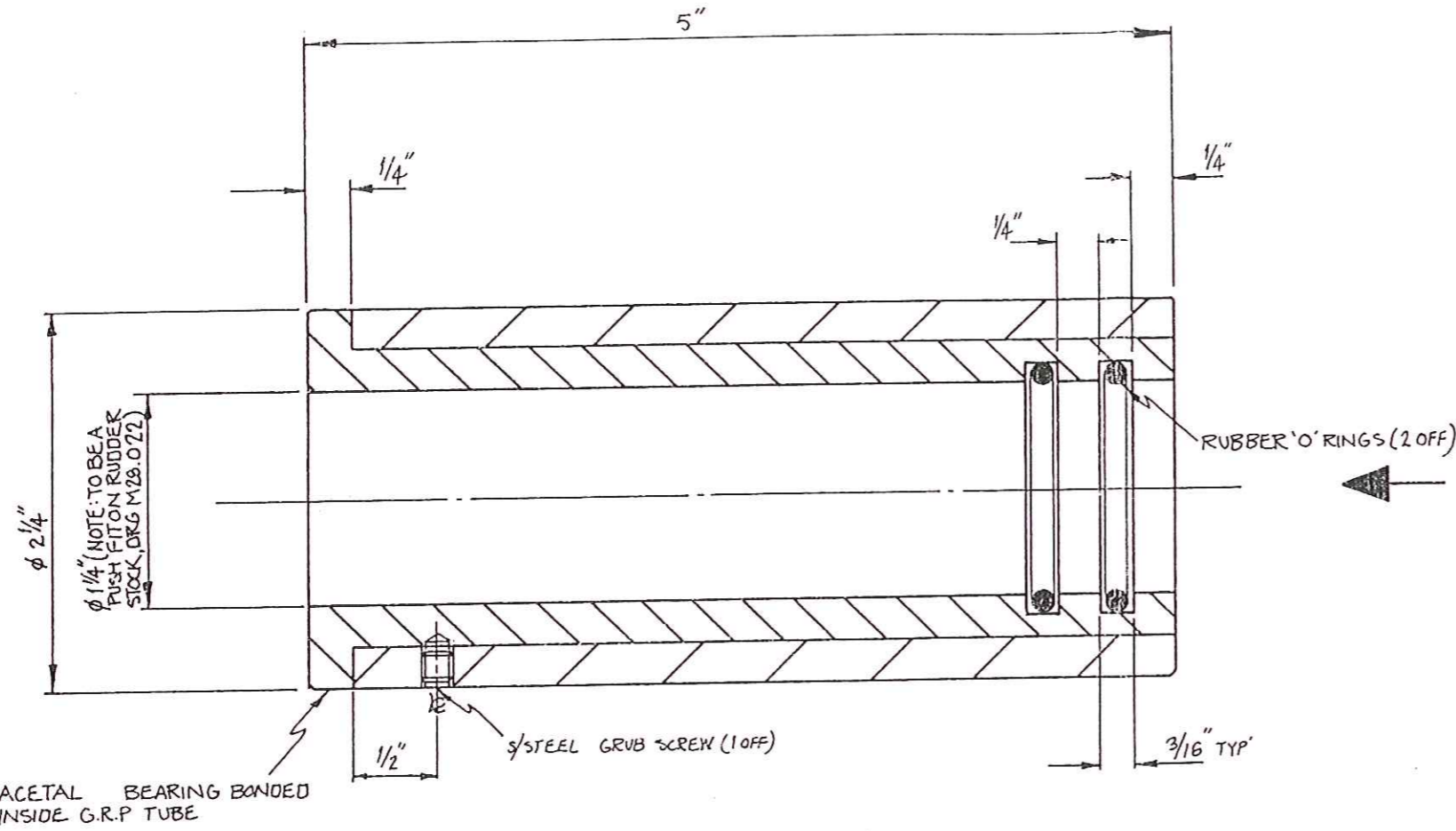


REFERENCE ONLY



END ELEVATION LOOKING IN DIRECTION OF ARROW.

13 SEP 1986

REFERENCE ONLY

SECTIONAL ELEVATION THRO' Φ

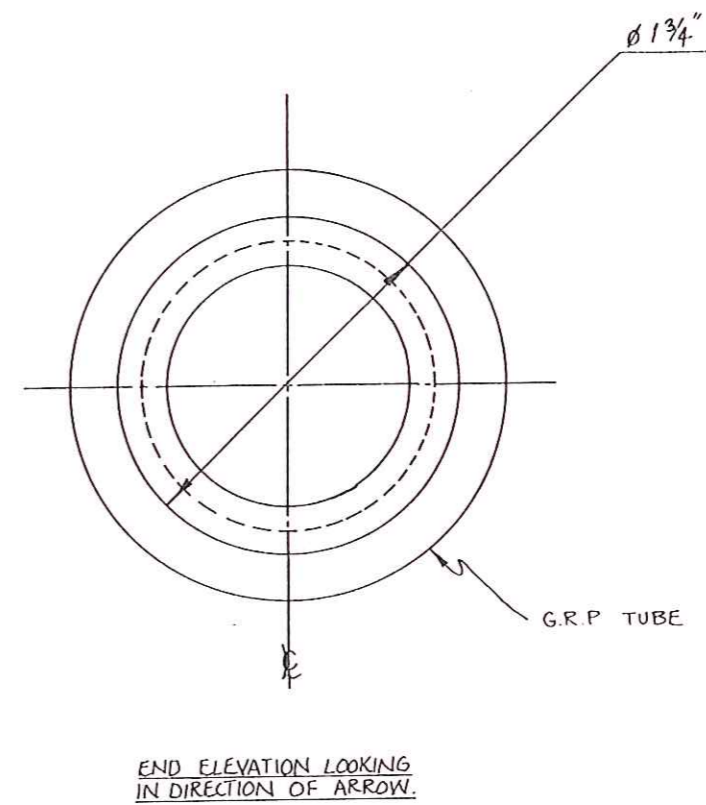
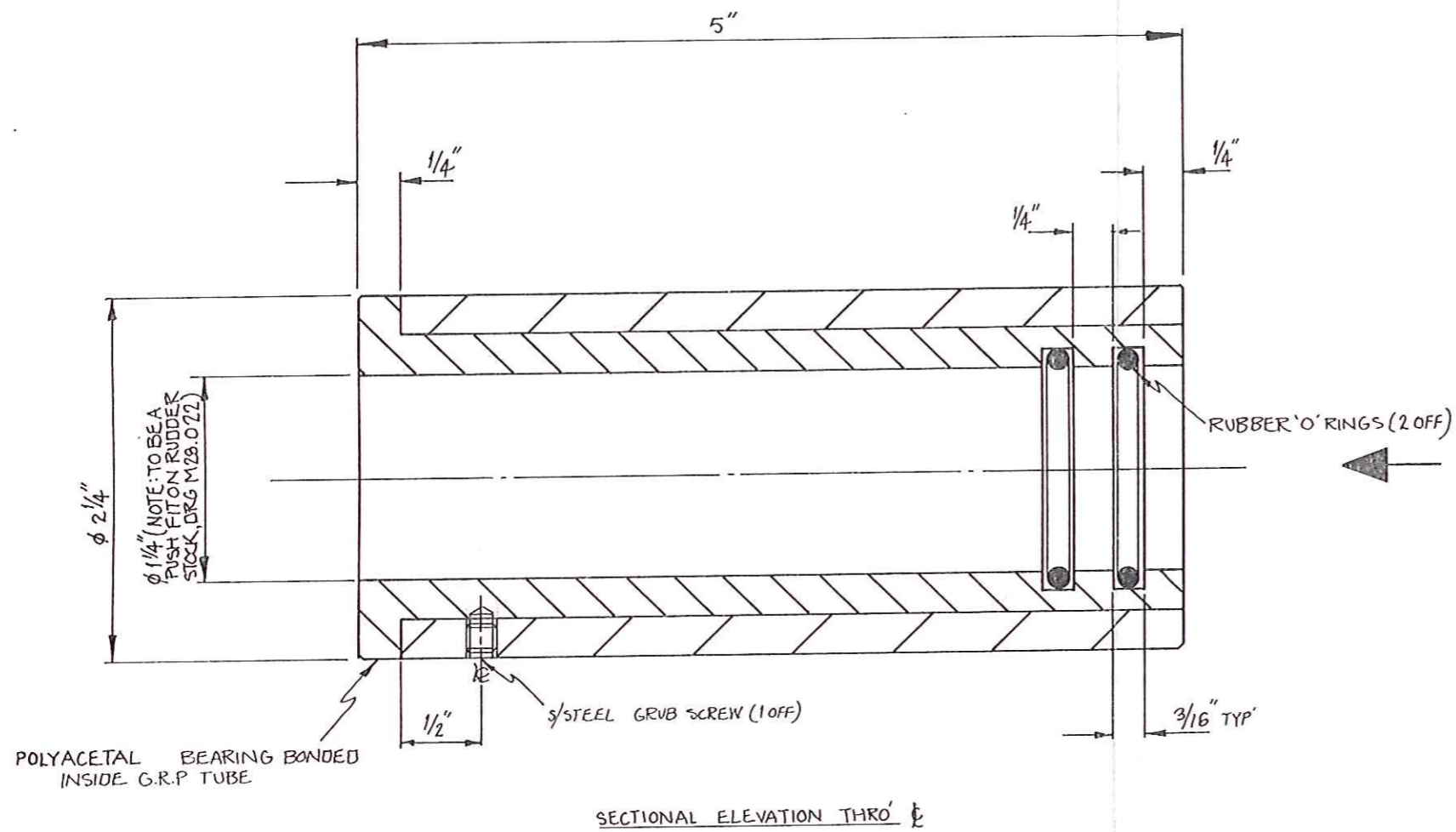
MARINE PROJECTS (PLYMOUTH) LTD
 MOODY 28 RUDDER TUBE.

DRAWN: JOHN P.B. FROUD
 DATE: 12-11-86
 SCALE: FULL SIZE

DRG N° M28.026

ISSUE	MODIFICATION	INT	DATE
A	BEARING WAS POLYESTER		28-01-87

POLYACETAL BEARING BONDED INSIDE G.R.P TUBE



UNCONTROLLED

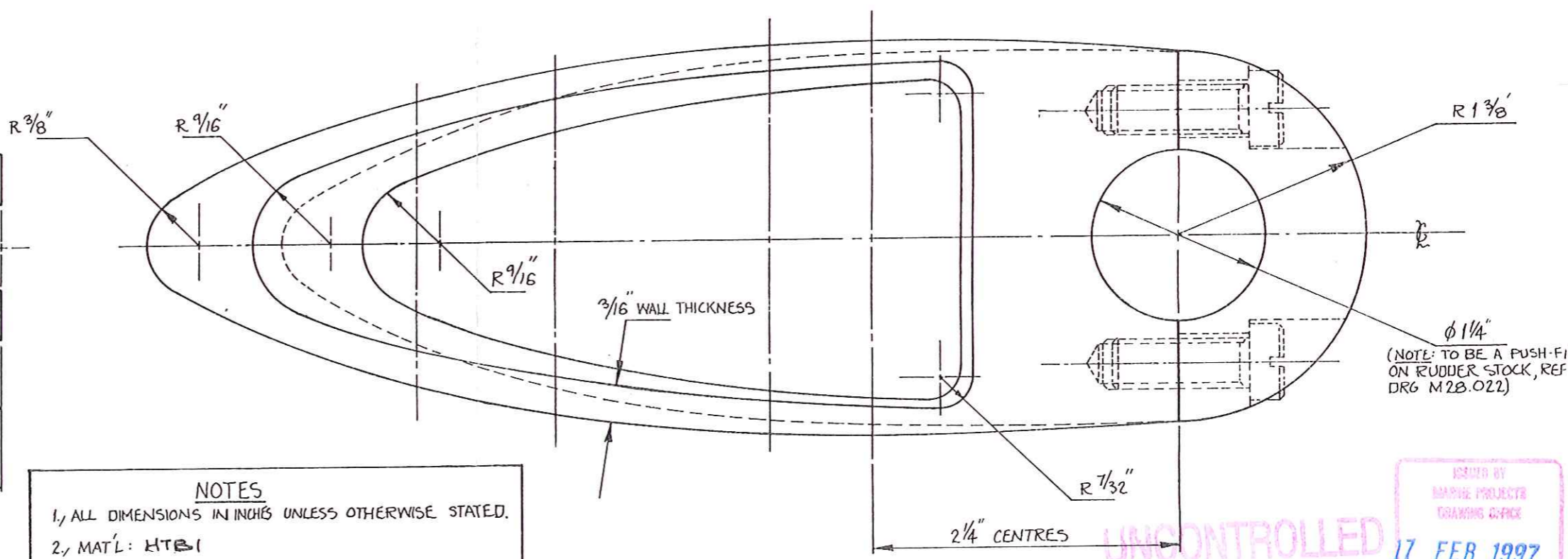
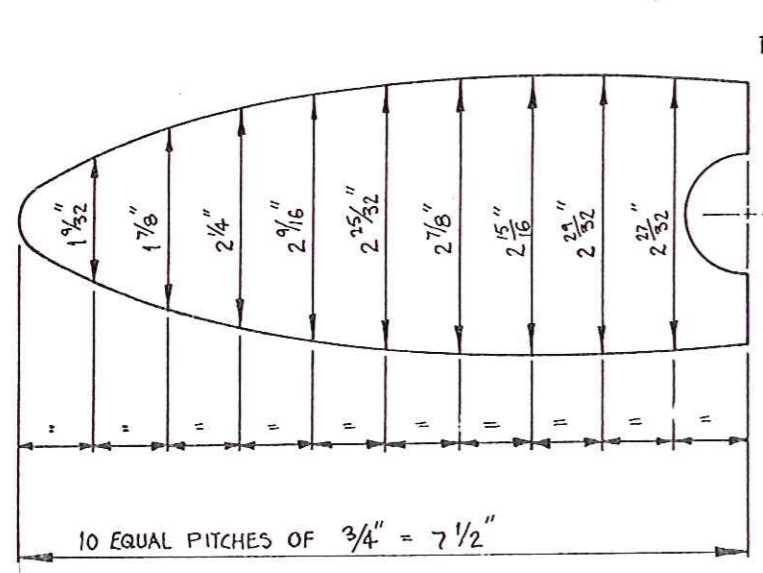
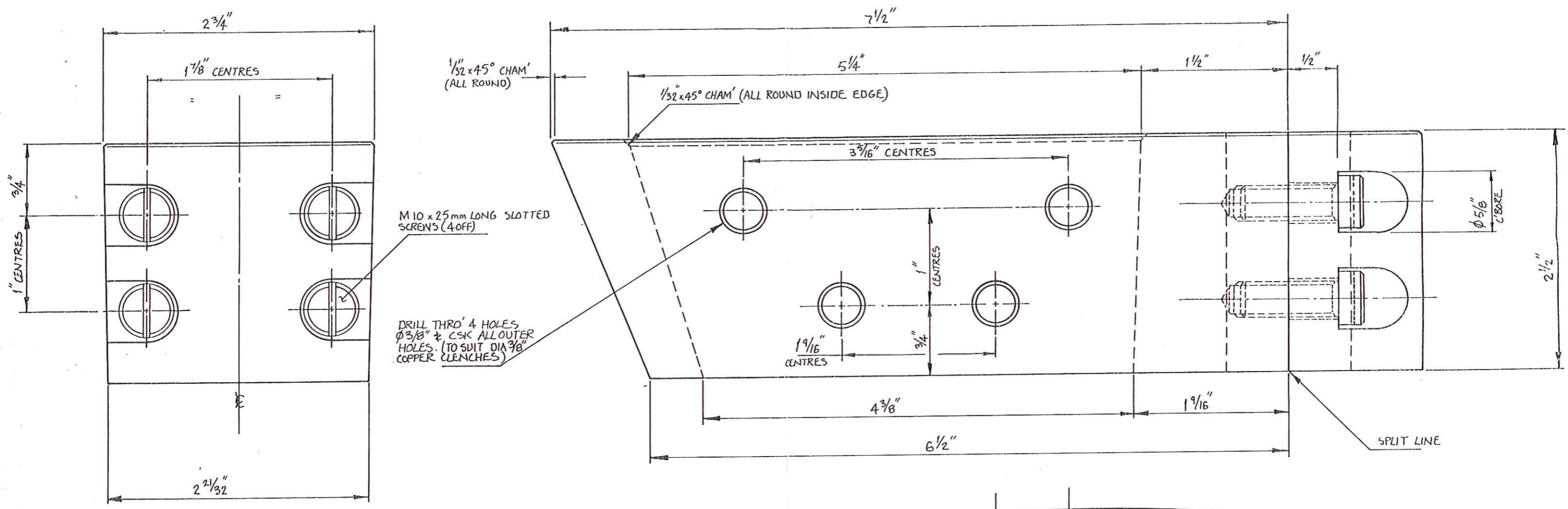
ISSUED BY
MARINE PROJECTS
DRAWING OFFICE
17 FEB 1997

MARINE PROJECTS (PLYMOUTH) LTD
MOODY 28 RUDDER TUBE.

DRAWN: JOHN.P.B.FROUD
DATE: 12-11-86
SCALE: FULL SIZE

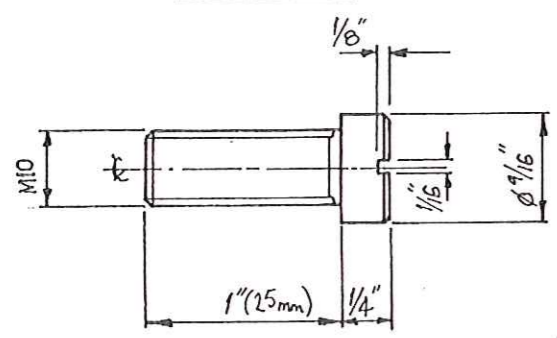
DRG N^o M28.026

ISSUE	MODIFICATION	INT	DATE
A	BEARING WAS POLYESTER		28-01-87



NOTES

- 1, ALL DIMENSIONS IN INCHES UNLESS OTHERWISE STATED.
- 2, MAT'L: HT61
- 3, DRAWN IN 1ST ANGLE PROJECTION.
- 4, REMOVE ALL BURRS & SHARP EDGES
- 5, TRY PATTERN ON BOAT BEFORE CASTING.



SCREW DETAIL (FULL SIZE)
MAT'L: ALUMINIUM BRONZE.

MARINE PROJECTS (PLYMOUTH) LTD
MOODY 28
HEEL FITTING

DRAWN: JOHN.P.B.FROUD
DATE: 12-11-86
SCALE: FULL SIZE

DRG N° M28.025

ISSUED BY
MARINE PROJECTS
DRAWING OFFICE
UNCONTROLLED 17 FEB 1997