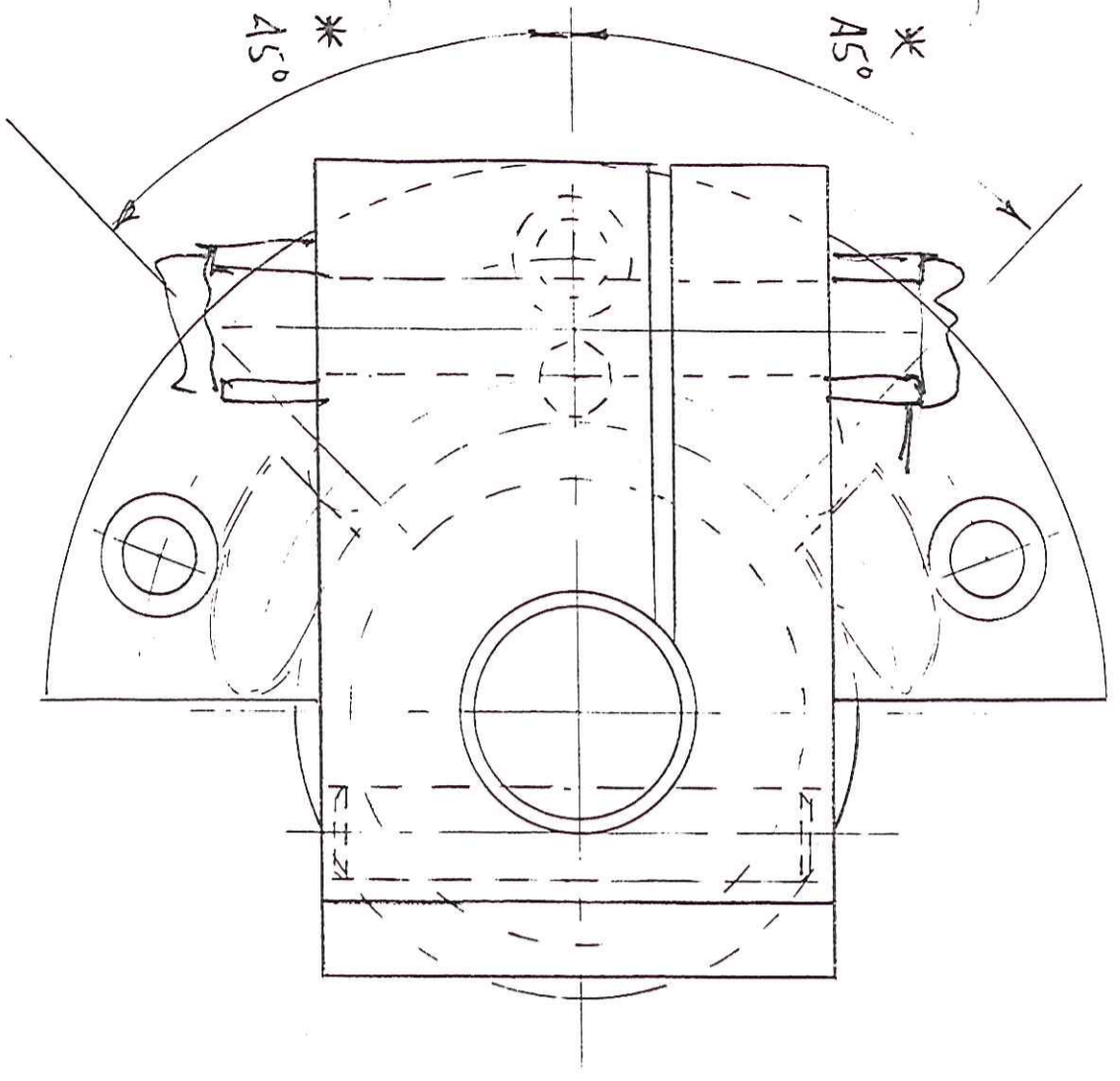
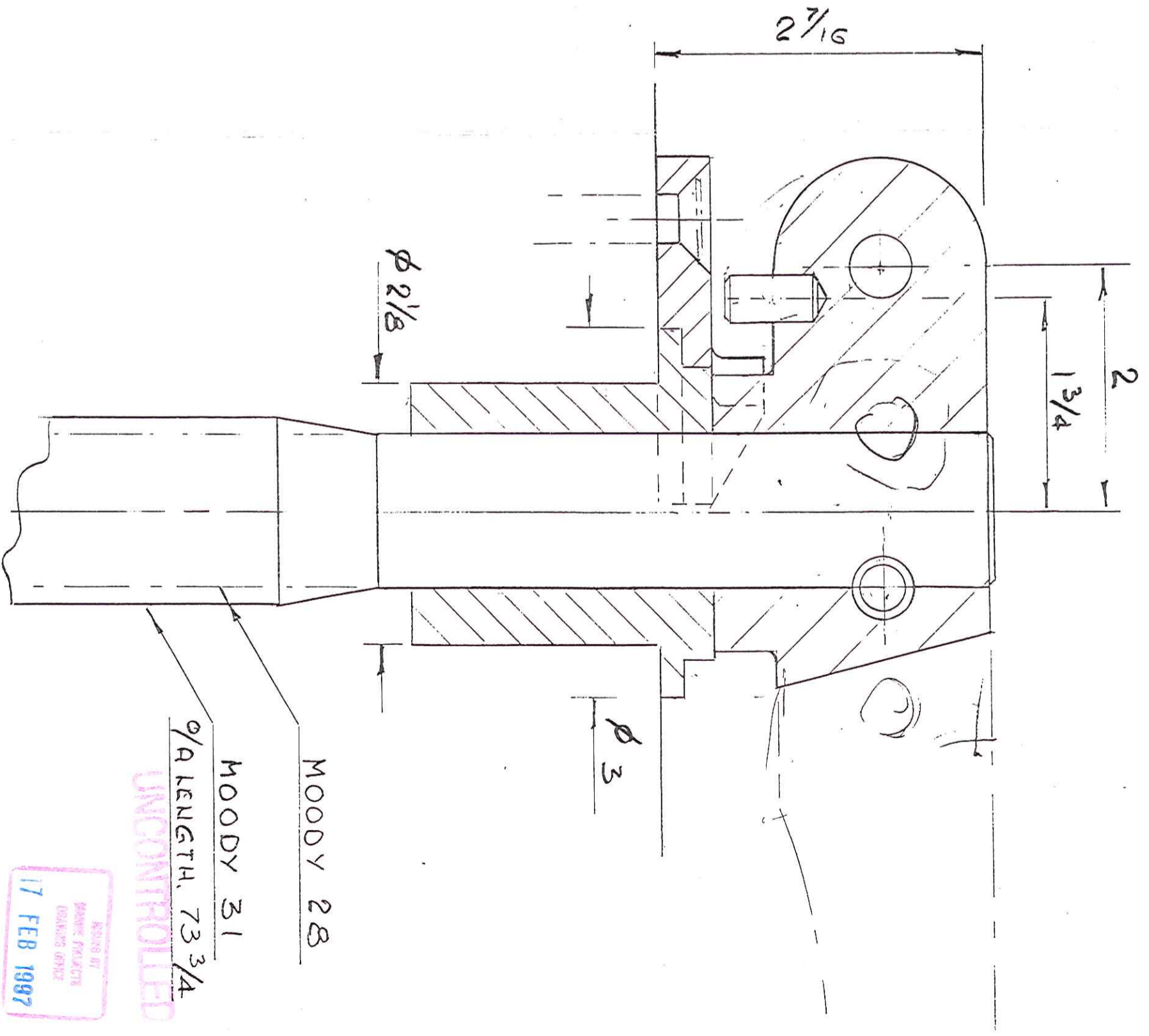


PROPOSED RUDDER HEAD FITTING
 BRG. & STOP PLATE FOR MOODY 28/31
 SIMILAR TO CURRENT SIGMA 36



* ANGLE TO STOP



| | | |
|-------|------|------|
| ISSUE | DATE | SIG. |
| | | |

| | |
|--------|--|
| CHANGE | |
|--------|--|

| N series of roughness numbers | | |
|-------------------------------|------------|-----------|
| Nominal value R _a | micrometre | microinch |
| 12.5 | 500 | 500 |
| 6.3 | 250 | 250 |
| 3.2 | 125 | 125 |
| 1.6 | 63 | 63 |
| 0.8 | 32 | 32 |
| 0.4 | 16 | 16 |
| 0.2 | 8 | 8 |
| Roughness number | N10 | N9 |
| | N8 | N7 |
| | N6 | N5 |
| | N4 | |

| | | | | | | |
|-----------------------------|----|-----|-------|-------|------|--------|
| WEIGHT | KG | No. | CODE | DESC' | QTY. | MAT'L. |
| OPEN LIMITS | | | SCALE | | | |
| MAT'L. | | | | | | |
| PATT'N. | | | | | | |
| ALL DIM'NS ARE IN INCHES MM | | | | | | |
| DR'N. | | | | | | |
| CH'D. | | | | | | |
| SH'T | | | | | | |
| CUSTOMER | | | | | | |
| COMP DESC' | | | | | | |
| RUDDER HEAD | | | | | | |
| COMP No. | | | | | | |
| LR0014 | | | | | | |

17 FEB 1997

UNCONTROLLED