

MARINE PROJECTS (PLYMOUTH) LTD. JULY '80
 MOODY 29
 PRINCIPAL CHARACTERISTICS
 SCALE: 1/4" = 12"

LENGTH FROM BOW TO	LENGTH AT W.L.				MAX BEAM
31' 2 1/2"	23' 6"				10' 6"
9.512m	7.16m				3.2m

TOP OF MAST TO W.L.	HEIGHT OF MAST	DRAUGHT D.W.L.	HEIGHT OF INR. CRADLE	HEIGHT OF EX. CRADLE	BALLOAST
40' 5"	85' 0"	4' 6"	45' 2"	44' 11"	2740 lbs
12.33m	10.67m	1.37m	13.77m	13.69m	1245 kg

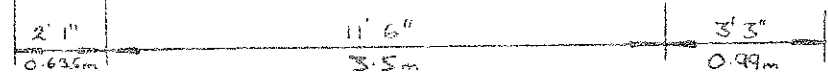
HEADROOM IN MAIN CABIN	HEADROOM IN FWD CABIN	HEADROOM IN V.C.		TOTAL HEIGHT IN CRADLE
6' 1 1/2"	5' 9"	5' 11"		11' 6"
1.867m	1.75m	1.803m		3.5m

MAINSAIL	GENOA #1
164 sq ft	322 sq ft
15.2 m ²	30 m ²

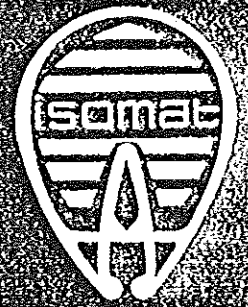
GENOA #2	WORKING JIB
288 sq ft	203 sq ft
26.7 m ²	18.9 m ²

APPROX : 1/4" = 12"
 AT ~~THE~~ FOOLSCAP

GROUND LEVEL OF BOAT ON SHIPPING CRADLE



Isomat (U.K.)



Quay Street, Lymington, Hampshire.

Tel: 0590-76885 Telex: 47674 Matcom G

Marine Projects Ltd.,
Valley Road, Industrial Estate,
Plymouth,
Devon.

22nd September 1980

Re: Standing Rigging Lengths
Moody 29

Measured by Simon Limb
At Moody Boat yard, Southampton.

Forestay - 11320mm

Inner forestay - 5185mm

Cap shrouds - 11125mm

Lower shrouds aft - 5740mm

Backstay - 11930mm

Signed 

Date 

Please sign and return one copy to us, approved as correct.

It must be stressed that the rigging measurements were carried out by Simon Richards of Isomat (UK) assisted by Simon Limb and that the above figures are the only record both Marine Projects and A. H. Moody & Son Ltd. have of the revised rigging lengths. These are being approved by both companies on the assumption that the above figures are infact correct.



registered office:
St. Margaret's Lane,
Titchfield, Fareham,
Hampshire, England PO14 4BG.
telephone: Titchfield (0329) 41900
telex: 86804 KEMP G

Quotation/Specification

Standing Rigging Main

Mizzen

Kemp Masts Ltd

Corrected _____

Issued by: _____
Stock Control: _____
Preselect 1: _____
Rigger: _____

Name: MARINE PROJECT LTD Ref: P.A.-e
Boat: HOOPY 29 Delivery Week: _____
Date: 22.9.80 Supply Mast: Yes/No _____
Job No.: _____ Mast No.: _____
Confirmation No.: _____ Customer O/No.: _____

Total Sets	
-------------------	--

Prices excluding Tax

Inspection:	Qty.	Cut wire Length mm	Top end	Part No.	Bottom end	Part No.	Length mm.	Ex Works £	
Forestay 1 x 19 St. St. 6 Ø Part No.	1		Eye		R.Screw/eye		E 11000		
			Tee		Norseman				
			Fork		Toggle		Pr	27	67
Inner Forestay 1 x 19 St. St. 6 Ø Part No.	1		Eye		R.Screw/eye		E 5200		
			Tee		Norseman				
			Fork		Toggle		Pr	17	60
Cap Shrouds 1 x 19 St. St. 6 Ø Part No.	2		Eye		Rigging Screw		E 10800		
			Tee		Norseman				
			Fork		Toggle		Pr	67	32
Intermediates 1 x 19 St. St. Ø Part No.			Eye		Rigging Screw		E		
			Tee		Norseman				
			Fork		Toggle		Pr		
Forward Lower Shrouds 1 x 19 St. St. Ø Part No.			Eye		Rigging Screw		E		
			Tee		Norseman				
			Fork		Toggle		Pr		
Aft Lower Shrouds 1 x 19 St. St. 6 Ø Part No.	2		Eye		Rigging Screw		E 6000		
			Tee		Norseman				
			Fork		Toggle		Pr	37	36
Backstay 1 x 19 St. St. 6 Ø Part No.	1		Eye		R.Screw/eye		E 11500		
					Norseman				
			Fork		Toggle		Pr	28	35
Backstay Lower Span 1 x 19 St. St. Ø Part No.			Eye				E		
			Fork				Pr		
Running Backstay 1 x 19 St. St. Ø Part No.			Eye		Eye		E		
			Tee		Fork				
			Fork		Tallurit Eye		Pr		
Triatic stay 1 x 19 St. St. Ø Part No.							E		
							Pr		
Packing									
Total Price ex. Works								178	30

E = Estimated Pr = Production St.St. = Stainless Steel



registered office:
 St. Margaret's Lane,
 Titchfield, Fareham,
 Hampshire, England PO14 4BG.
 telephone: Titchfield (0329) 41900
 telex: 86804 KEMP G

Quotation/Specification

Running Rigging Main

Mizzen

Kemp Masts Ltd

Corrected _____

Issued by: _____
 Stock Control: _____
 Preselect 1: _____
 Rigger: _____

Name: *MARINE Projects Ltd* Ref.: *P.A.C*
 Boat: *Moody 29* Delivery Week: _____
 Date: *22.9.80* Supply Mast: Yes/No
 Job No.: _____ Mast No.: _____
 Confirmation No.: _____ Customer O/No.: _____

Total Sets	
-------------------	--

Prices excluding Tax

Inspection:	Qty.	Type & Ø	Part No.	Colour	Length mm.	Top end	Part No.	Dress	Ex. Works £	
Main/Mizzen Halliard	1	7 x 19 St.St.			E	Eye				
					Pr					
		S.B. 10 Ø	3806	White	E 23000	Shackle				
					Pr	Key Pin Shackle	3934	✓	18	54
Genoa Halliard	1	7 x 19 St.St.			E	Eye				
					Pr					
		S.B. 10 Ø	3808	Blue fleck	E	Snap Shackle	3903			
					Pr 23000	Parrel Ball		✓	26	17
Mizzen Staysail Halliard		7 x 19 St.St.			E	Eye				
					Pr					
		S.B. Ø		White	E	Snap Shackle				
					Pr	Parrel Ball				
Main Boom Topping Lift	1	S.B. 8 Ø	3802	White	E 23000	Eye				
					Pr	Snap Shackle				
						Block				
						Shackle	3930	✓	13	01
Burgee/Ensign		8 Plait Ø		White						
Signal Halliard		8 Plait Ø		White						
Reef Line I		16 Plait Ø		Blue						
Reef Line II		16 Plait Ø		Red						
Reef Line III		16 Plait Ø		Green						
Reef Line IV		16 Plait Ø		Black						
End Finish		Whip/Heat Seal								
Packing		Note: Wire and rope lengths do not include joining splice								
Total Price Ex. Works									57	72

E = Estimated Pr = Production SB = Super Braidline St.St. = Stainless Steel

CURTAINS

Moody 27

2 x 10'	Neta curtain track	D204170
1 x 100	Neta curtain hooks	D204150
1 x 100	Neta curtain gliders	D204160
6 x	Neta curtain endstops	D204180
18' x	Expanding curtain wire	D204140
6 x	NP817 curtain hooks	D204220
6 x	NP818 curtain eyes	D204230

Moody 29

2 x 10'	Neta track (2x6' + 2x4')	D204160
100 x	Gliders	D204150
8 x	Endstops	D204180
20' x	Curtain wire	D204140
8 x	Hooks	D204220
8 x	Eyes	D204230

Moody 333

2 x 14'	Neta track	D204170
2 x 100	Hooks	D204150
2 x 100	Gliders	D204160
24 x	Endstops	D204180
36' x	Curtain wire	D204140
24 x	Hooks	D204220
24 x	Eyes	D204230

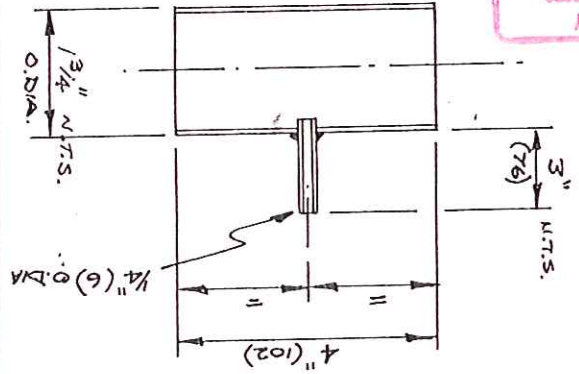
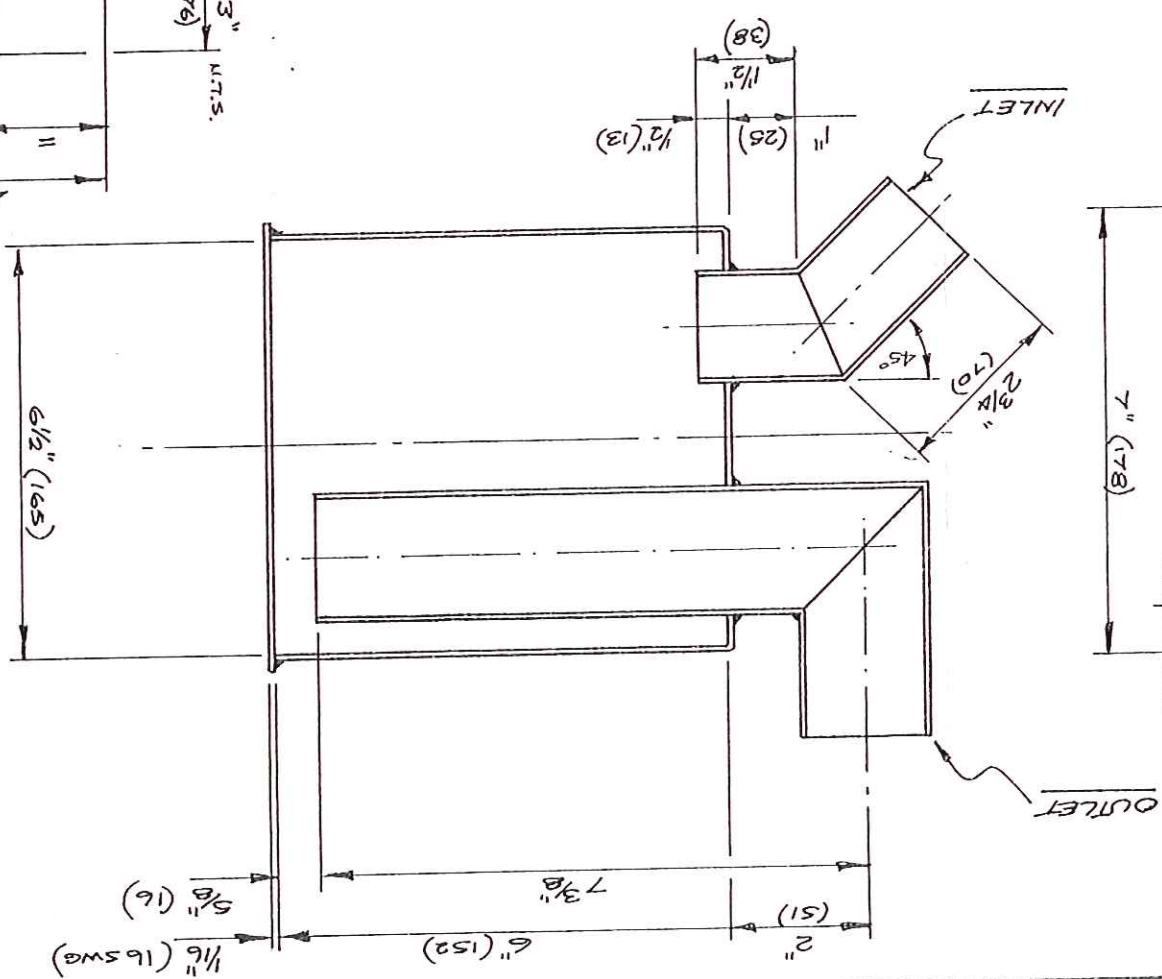
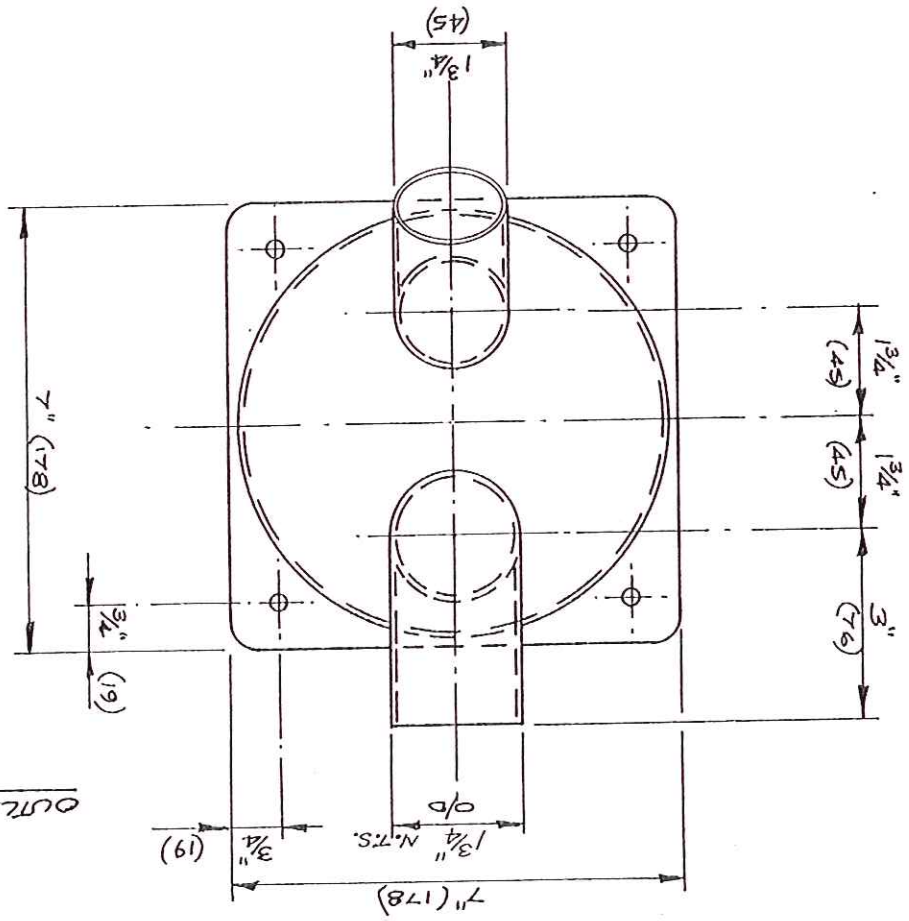
Moody 34

2 x 14'	Neta curtain track	D204170
1 x 100	Hooks	D204150
1 x 100	Gliders	D204160
18 x	Endstops	D204280
25' x	Expanding wire	D204140
10 x	Hooks	D204220
10 x	Eyes	D204230

Track Lengths

1 x 92½"
1 x 118"
1 x 17"
1 x 36"
2 x 37"

Title MOODY 29 EXHAUST MIXER BOX
 Material ST/STEEL
 Drawn by PAN
 Date 19.2.82
 Scale 1/3 FULL SIZE
 Drwg. No M29-045
 MARINE PROJECTS PLYMOUTH LTD.
 Newport Street, Plymouth, Telephone 27771



MODIFICATION	
10.8.82	PAW.
D.M.C.	SIG.

OUTLET & BREATHER WAS 2" O.D.A.

UNCONTROLLED

ISSUED BY
 MARINE PROJECTS
 GENERAL OFFICE
 16 JUN 1995

BREATHER