

Title MOODY 31 FUEL TANK

CAPACITY 20 GALLONS (90. LTRS)

MARINE PROJECTS PLYMOUTH LTD.
Newport Street, Plymouth. Telephone 27771

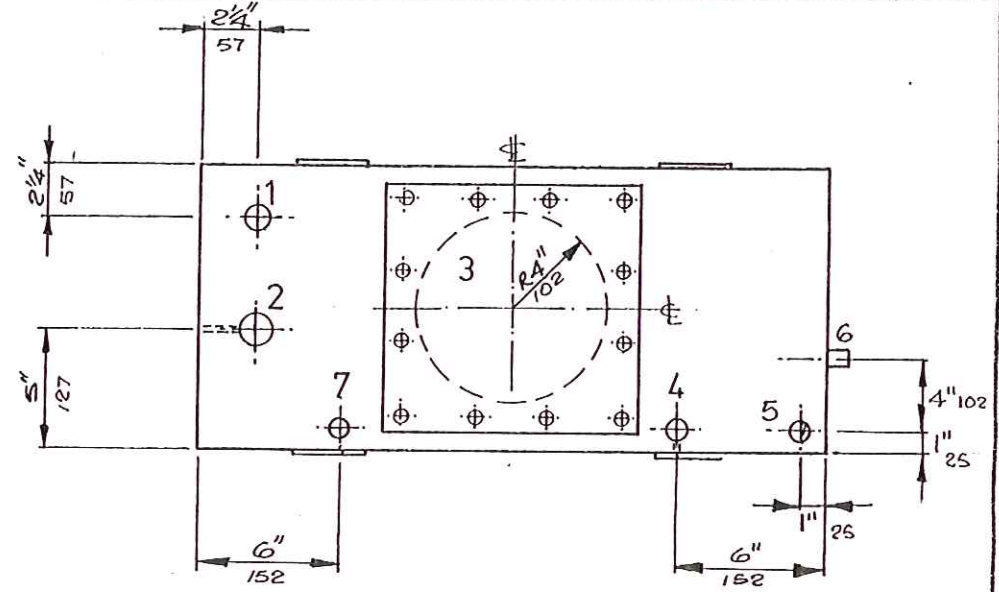
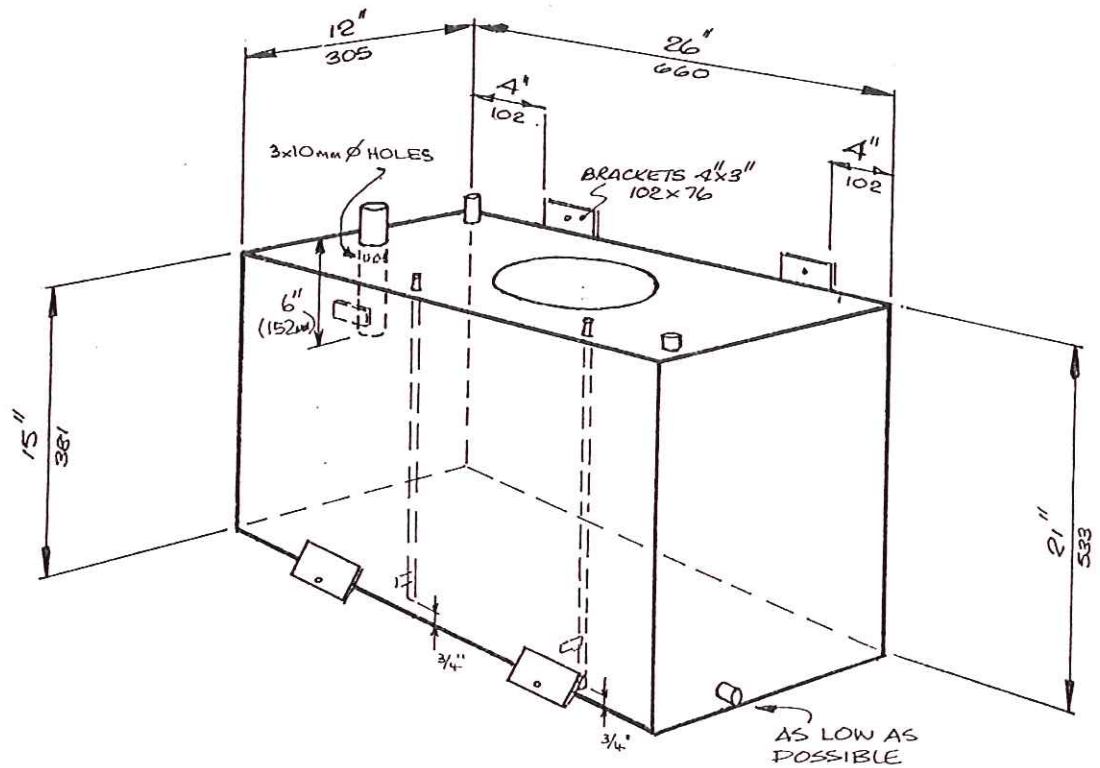
Material MILD STEEL
2mm THICK

Drawn by ECT.

Date 13.12.88

Scale NTS

Drwg. NO M31.011



1. BREATHER. 3/4" O.D. 2" HIGH. (19x50)
2. FILLER. 2" I.D x 3" HIGH. (50x76) WITH 6" DOWNPIPE (152)
3 x 10mm DIA. HOLES DRILLED JUST BELOW TANK SURFACE.
3. STANDARD HATCH FITTING.
4. SUCTION 3/8" BSP BARREL SOCKET 1" HIGH - 7/8" O.D DOWNPIPE
3/4" FROM BOTTOM
5. 3/8 BSP STRAIGHT (10) }
6. 3/8 BSP STRAIGHT (10) } SIGHT GLASS
7. RETURN 3/8" BSP BARREL SOCKET 1" HIGH - 7/8" O.D DOWNPIPE
3/4" FROM BOTTOM...

ISSUED BY
MARINE PROJECTS
DRAWING OFFICE
13 DEC 1994

UNCONTROLLED

DATE	MODIFICATION	INT.
D 25/10/88	ADDITIONS TO FILLER PIPE	KBK
C 1. Oct. 85.	SIGHT GLASS MOVED	ECT
B 22.5.84.	DOWNPIPE INC. ON RETURN.	ECT.
A		