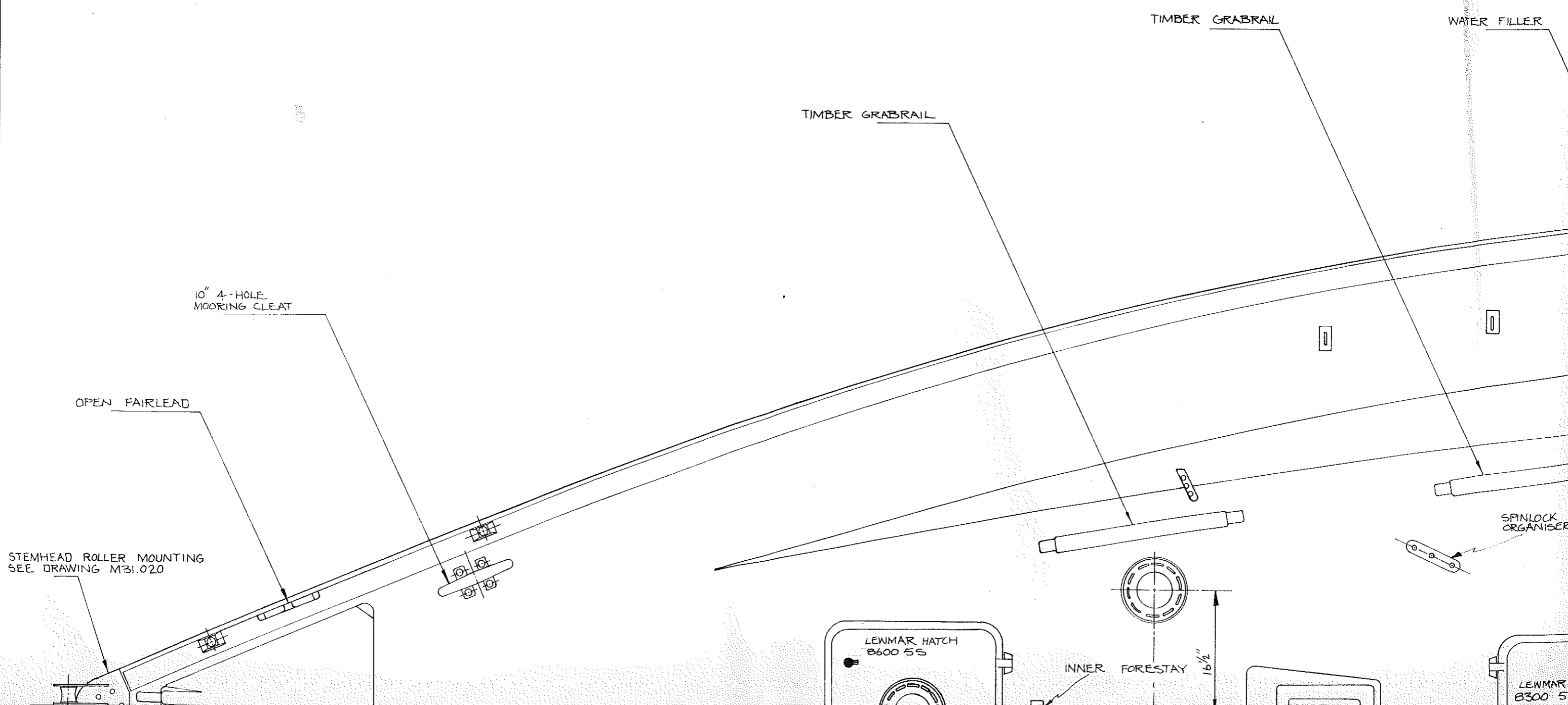


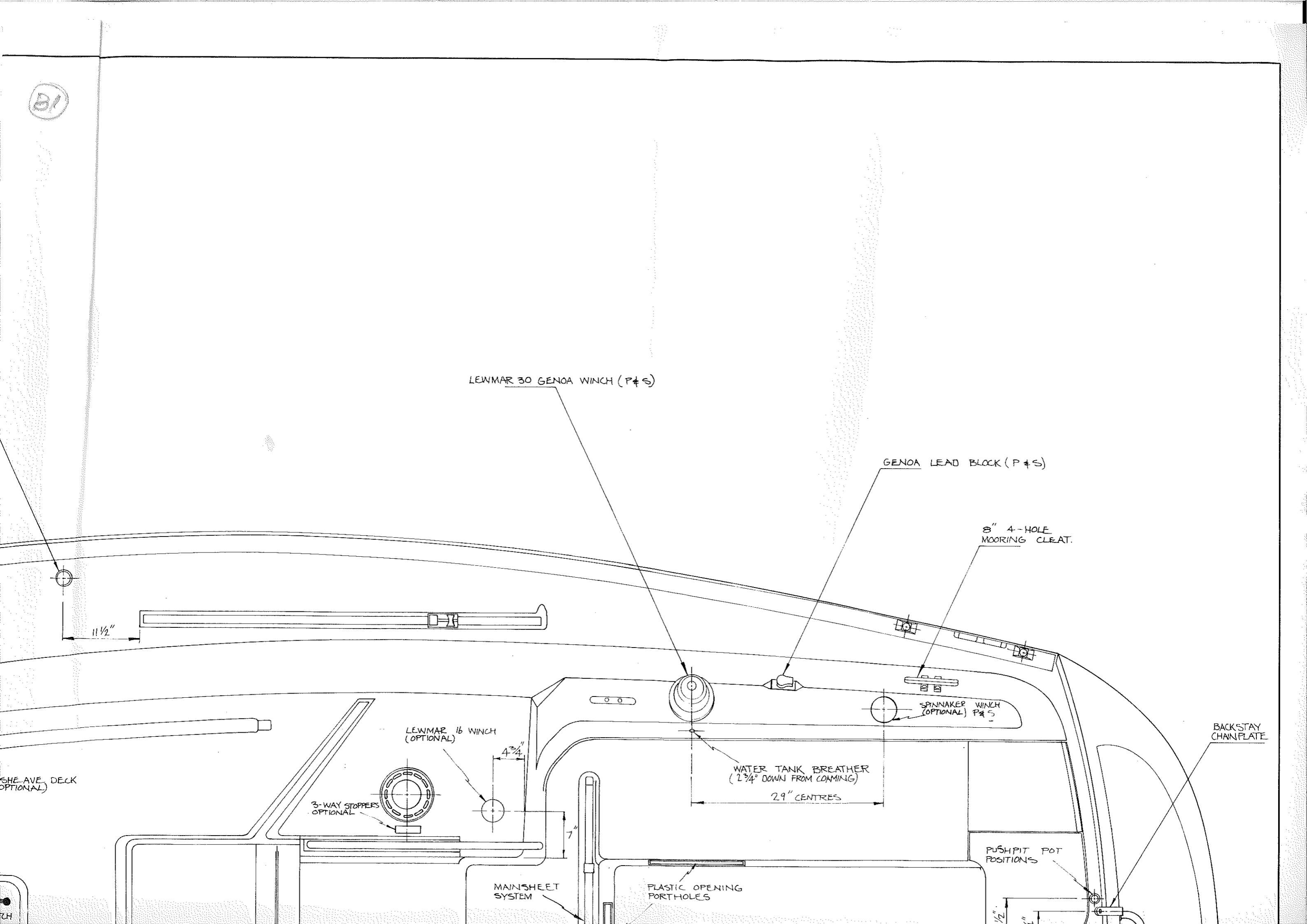
Scanned in 4 Sections

A1	B1
A2	B2

A1



B1



A2

4'-3 1/2"

3"

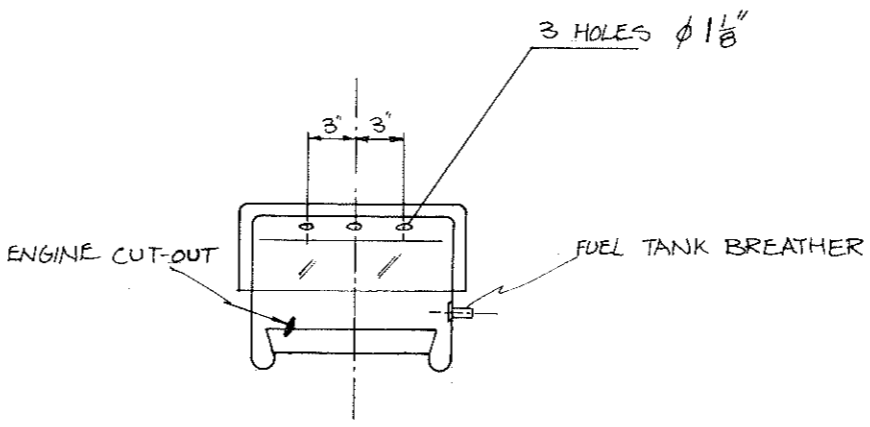
1 1/2"

13"

CHAINPLATE FOR SPLIT BABY-STAY (OPTIONAL)

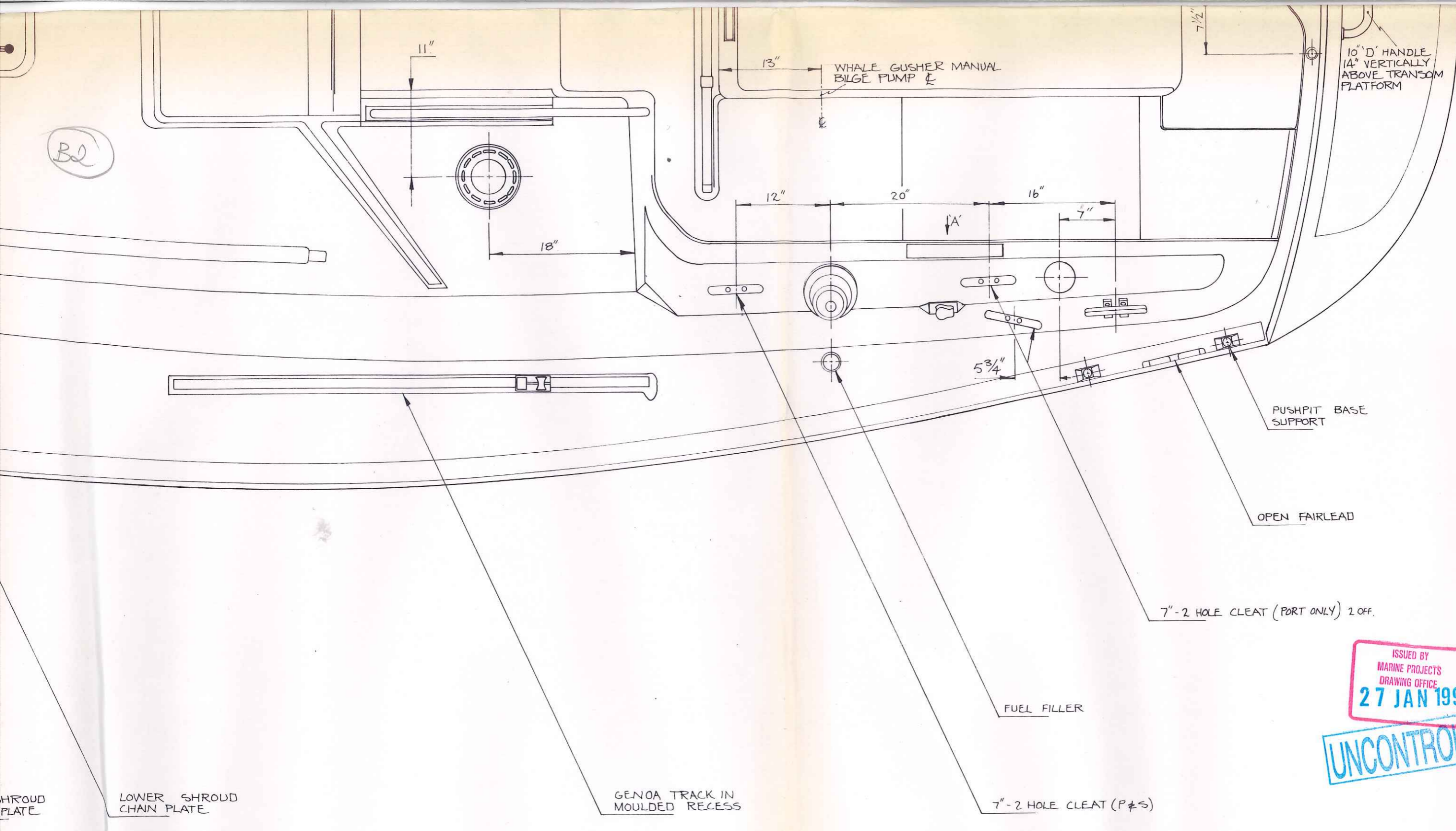
PULPIT BASE SUPPORTS

CAP & CHAIN



ENGINE INSTRUMENT PANEL RECESS (VIEW IN DIRECTION OF ARROW 'A')

B2



13" WHALE GUSHER MANUAL BILGE PUMP

10" D HANDLE 14" VERTICALLY ABOVE TRANSOM PLATFORM

PUSHPIT BASE SUPPORT

OPEN FAIRLEAD

7" - 2 HOLE CLEAT (PORT ONLY) 2 OFF.

FUEL FILLER

7" - 2 HOLE CLEAT (P+S)

GENOA TRACK IN MOULDED RECESS

LOWER SHROUD CHAIN PLATE

SHROUD PLATE

ISSUED BY
MARINE PROJECTS
DRAWING OFFICE
27 JAN 1994

UNCONTROLLED

MARINE PROJECTS (PLYMOUTH) LTD
MOODY 31 DECK PLAN
DRAWN : JOHN. P.B. FROUD
DATE : 28-05-87
SCALE : 1" = 12"
DRG N° M31.058