

MOODY 31

MIXER BOX

MARINE PROJECTS PLYMOUTH LTD.
Newport Street, Plymouth. Telephone 27771

Material STEEL

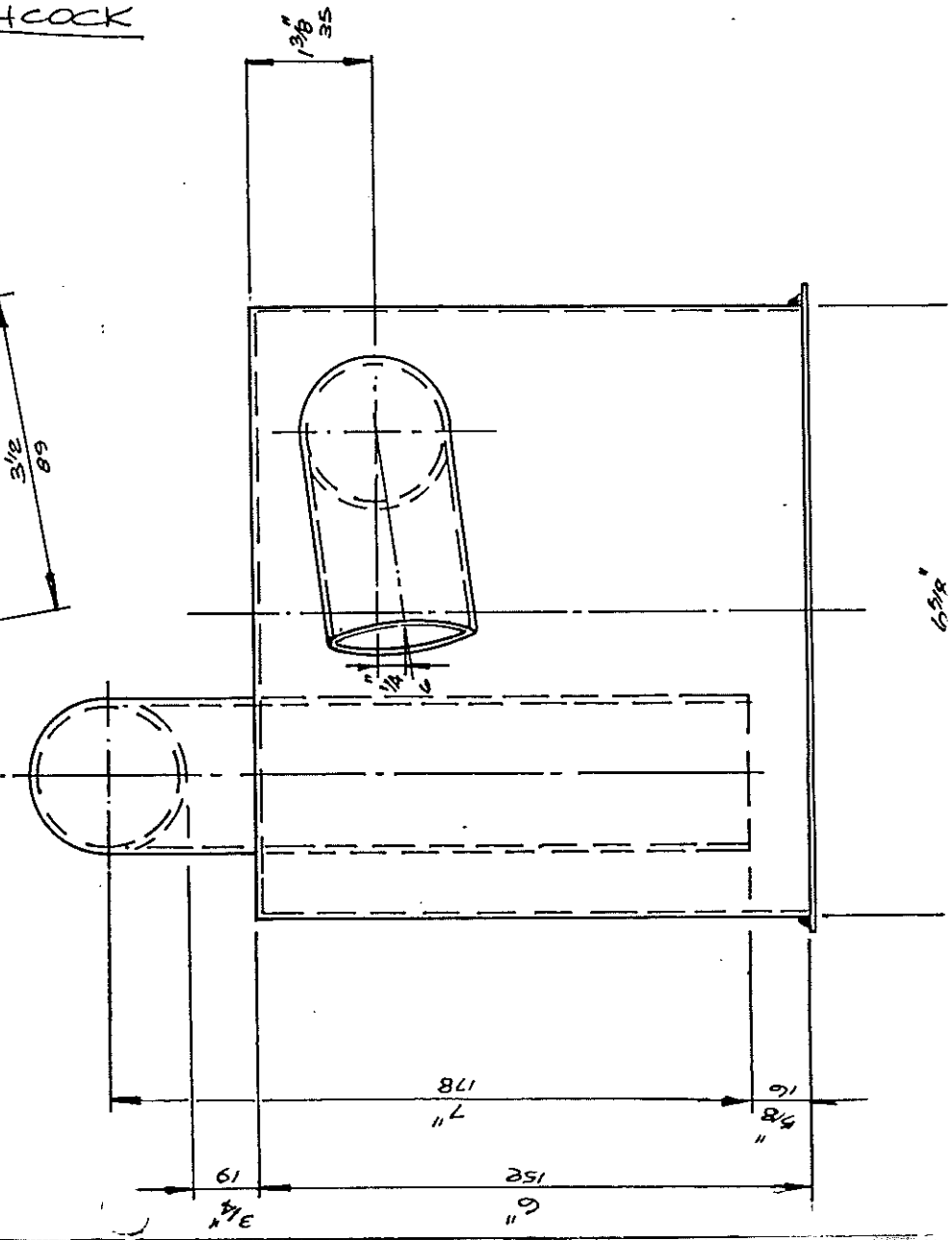
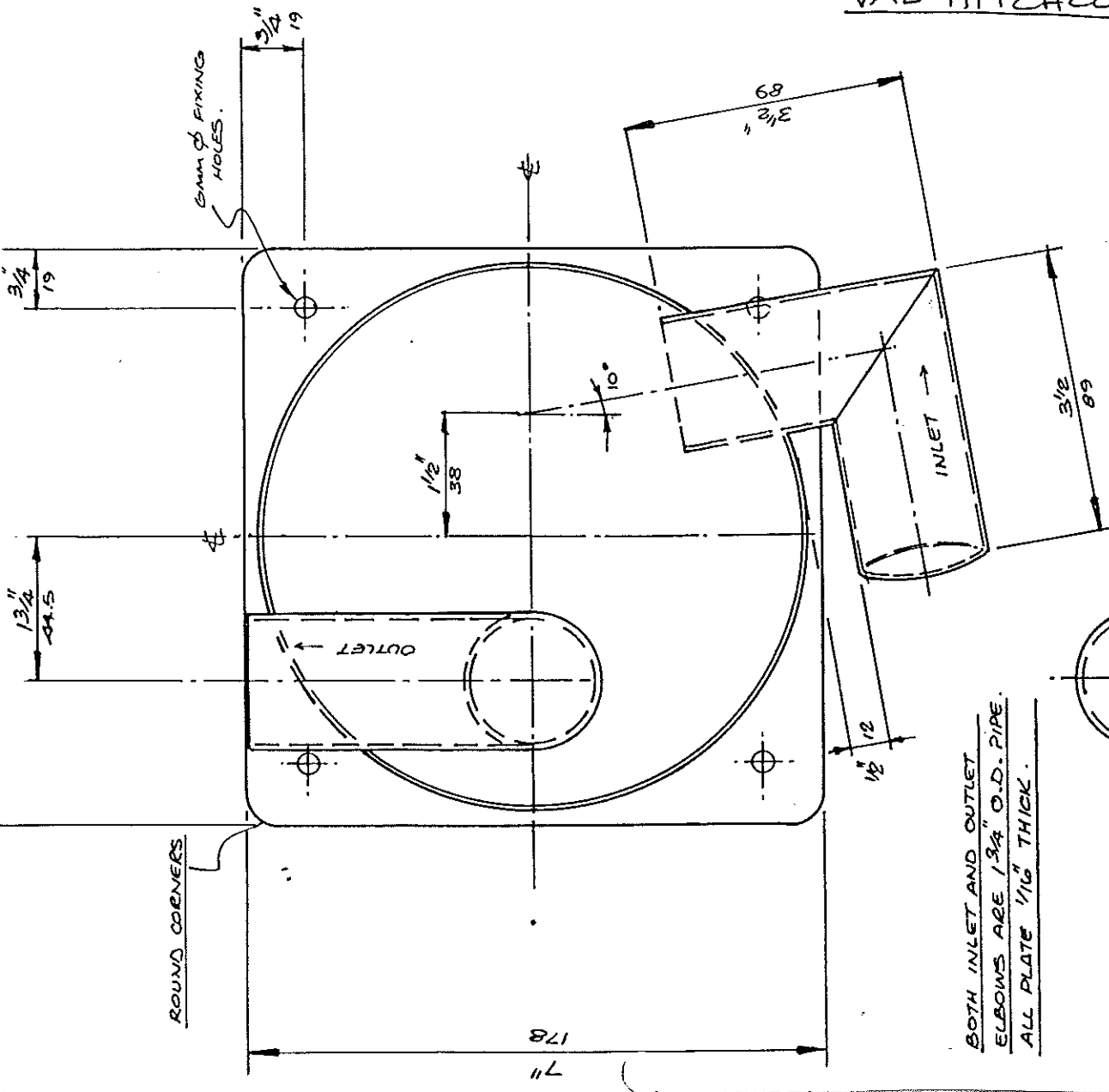
Drawn by ECT

Date 14. 10. 83

Scale NTS.

Drwg. NO M31. 006

VAL HITCHCOCK



BOTH INLET AND OUTLET
ELBOWS ARE 1 3/4" O.D. PIPE.
ALL PLATE 1/16" THICK.