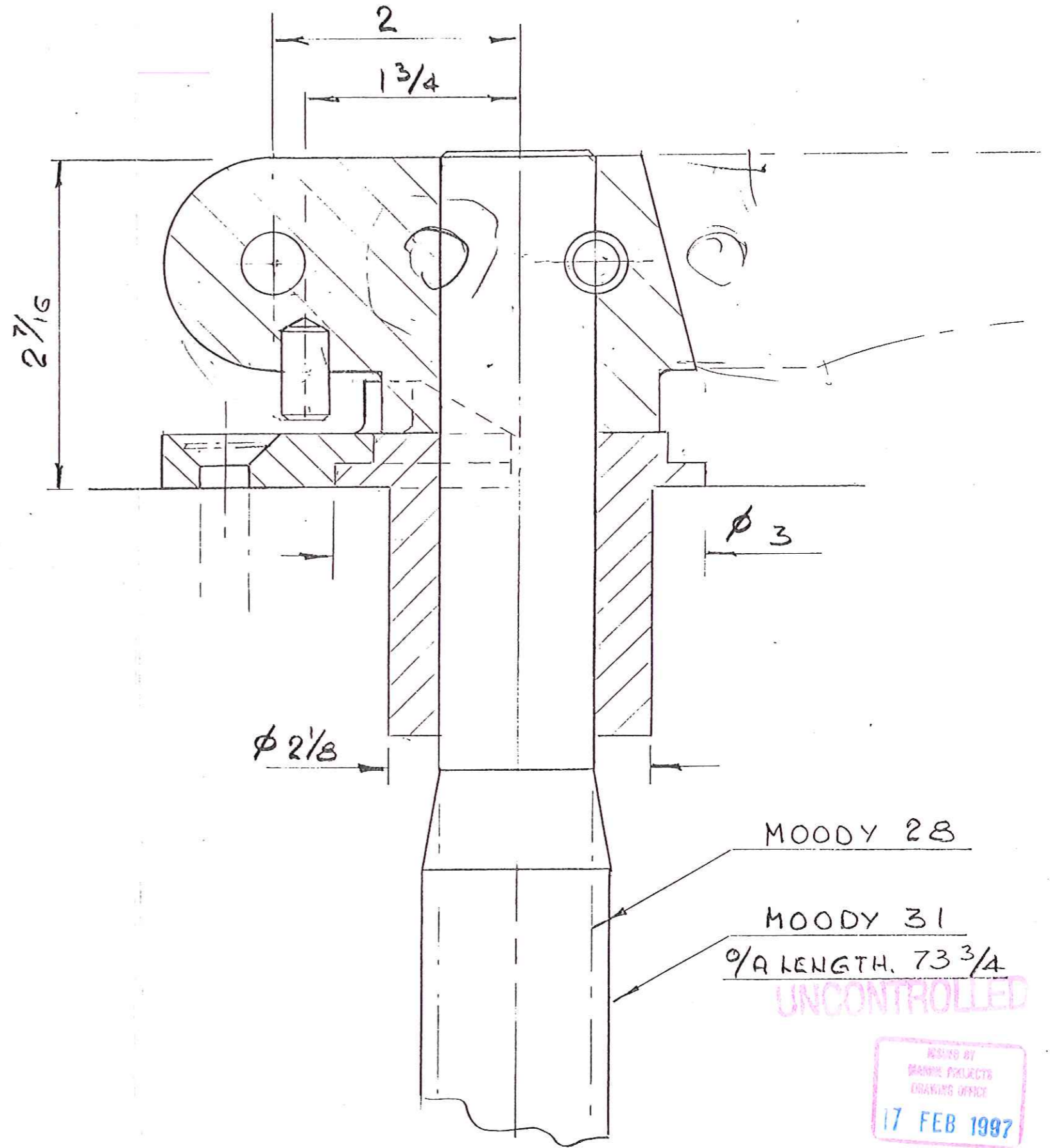
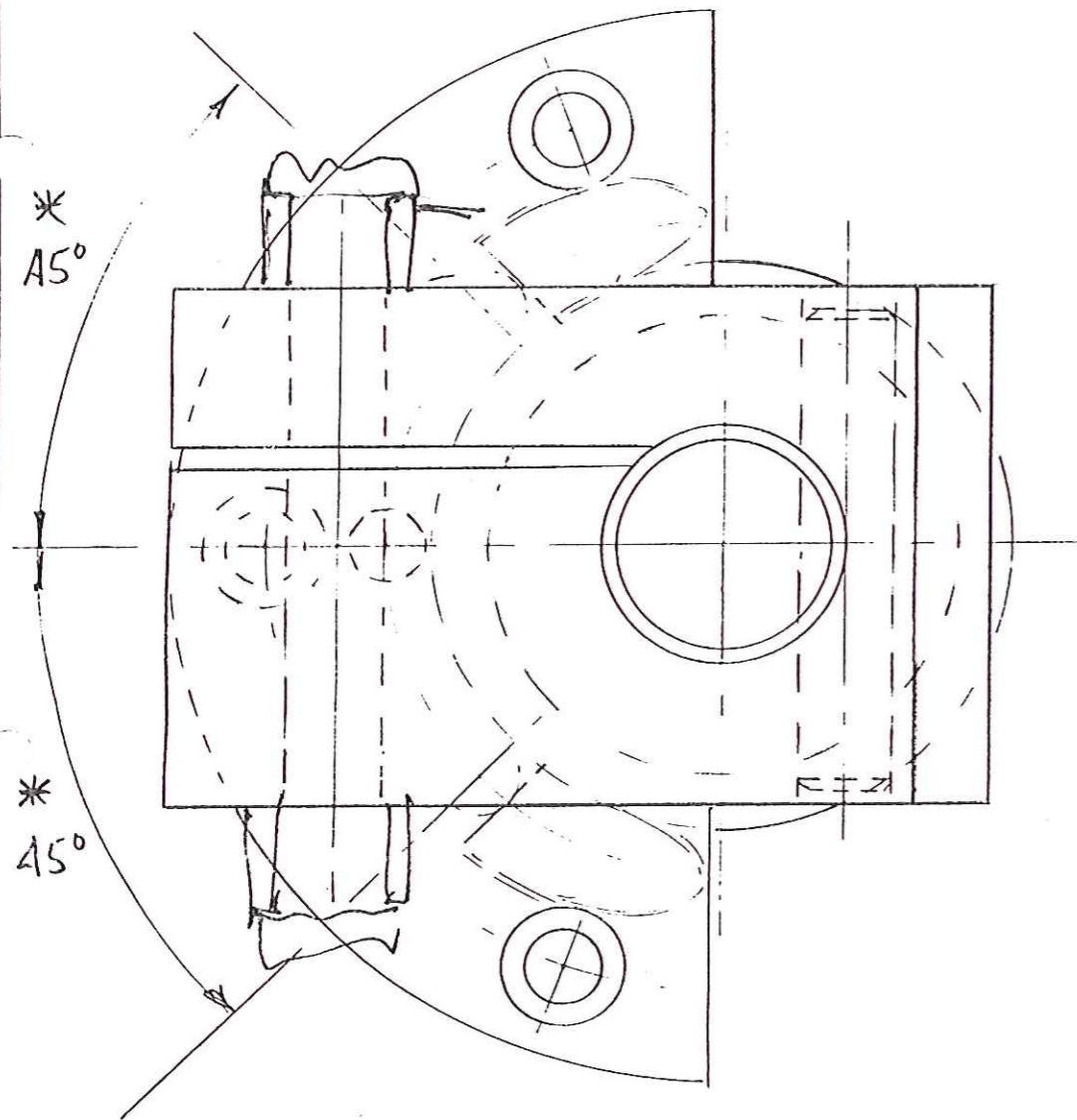


PROPOSED RUDDER HEAD FITTING
BRG. & STOP PLATE FOR MOODY 28/31
SIMILAR TO CURRENT SIGMA. 36



* ANGLE TO STOP

N series of roughness numbers		WEIGHT	KG	No.	CODE	DESC'	QTY.	MAT'L.
Nominal value R.	micrometre	12.5	6.3	3.2	1.6	0.8	0.4	0.2
	microinch	500	250	125	63	32	16	8
Roughness number		R10	R9	R8	R7	R6	R5	R4
ALL DIM'NS ARE IN INCHES MM						SH'T	OF	COMP No. L R 0014
OPEN LIMITS						SCALE	©	SIG.
MAT'L.						DR'N.	DATE	CUSTOMER MAR PROJ
PATT'N.						CH'D.		COMP DESC' MOODY 28/31
								RUDDER HEAD

ISSUED BY
 BRADY PROLECTS
 DRAWING OFFICE
 17 FEB 1987