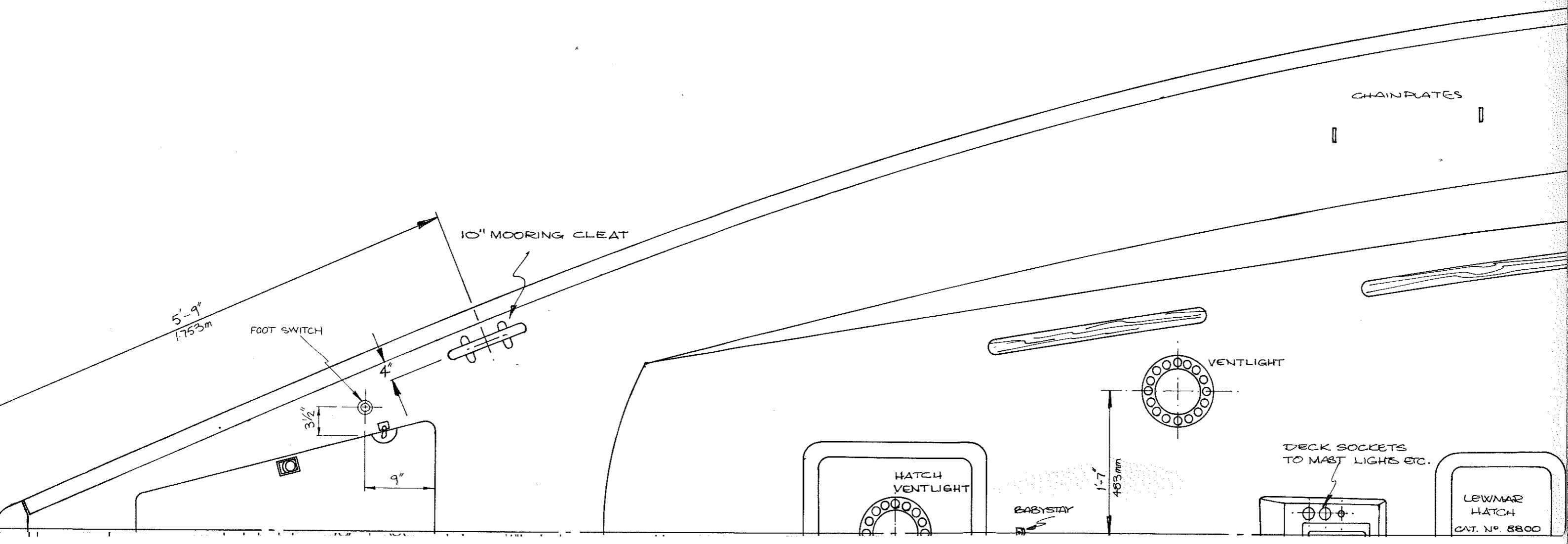
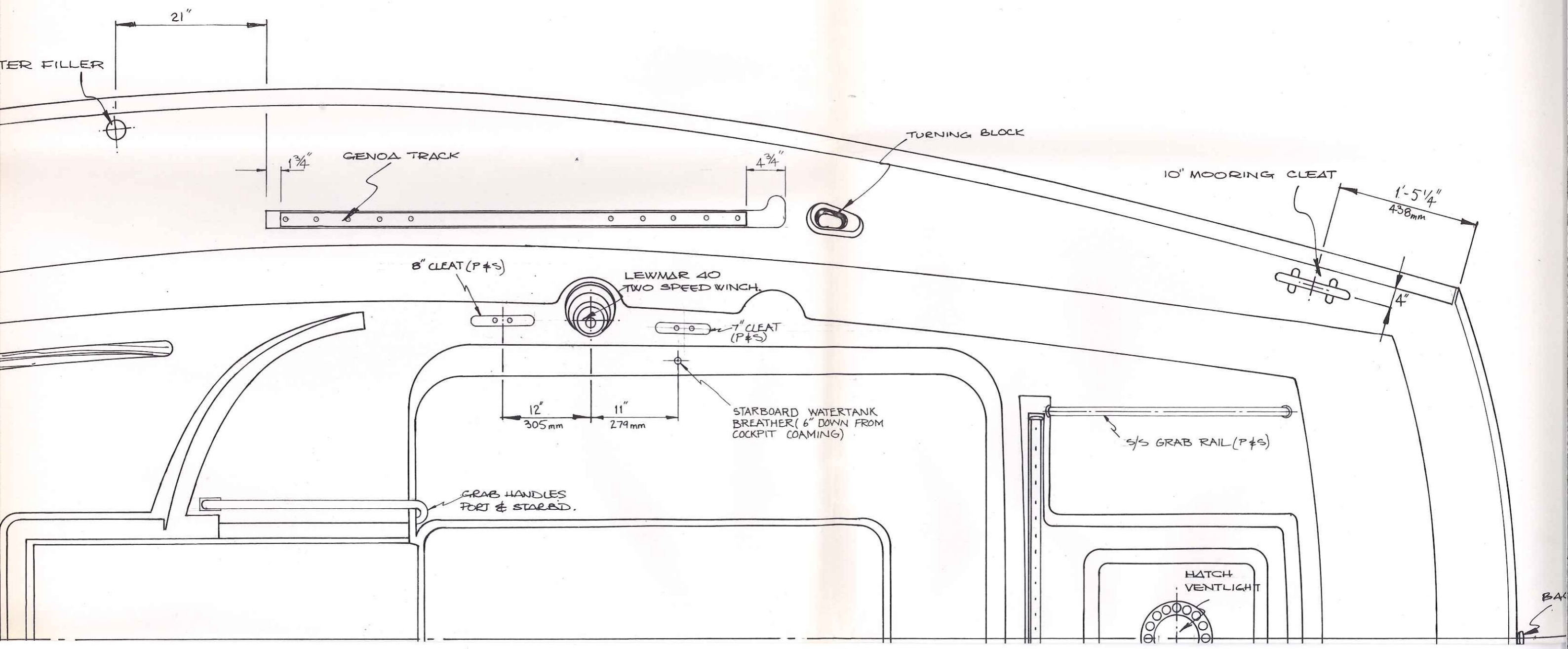


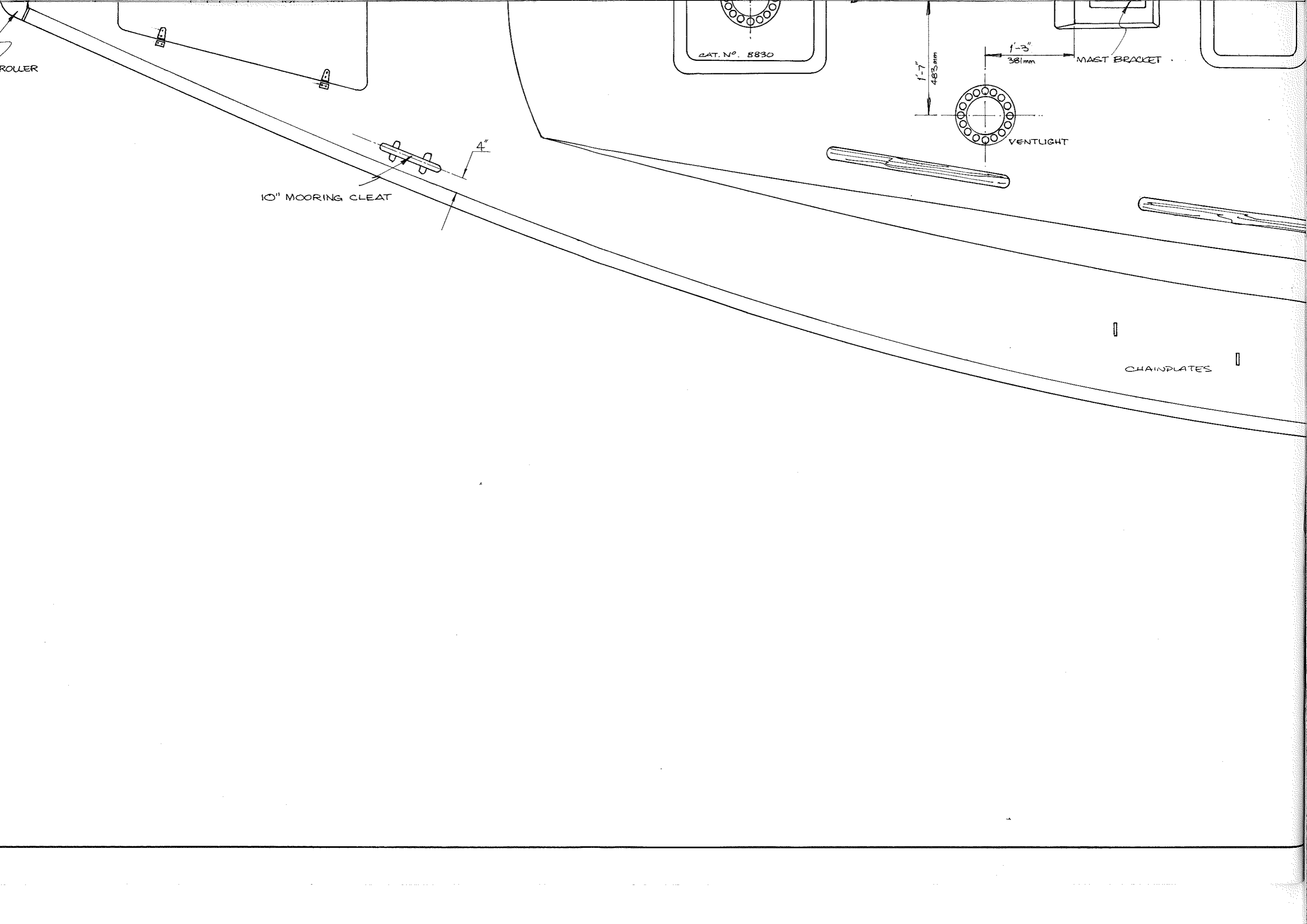
A2
B2

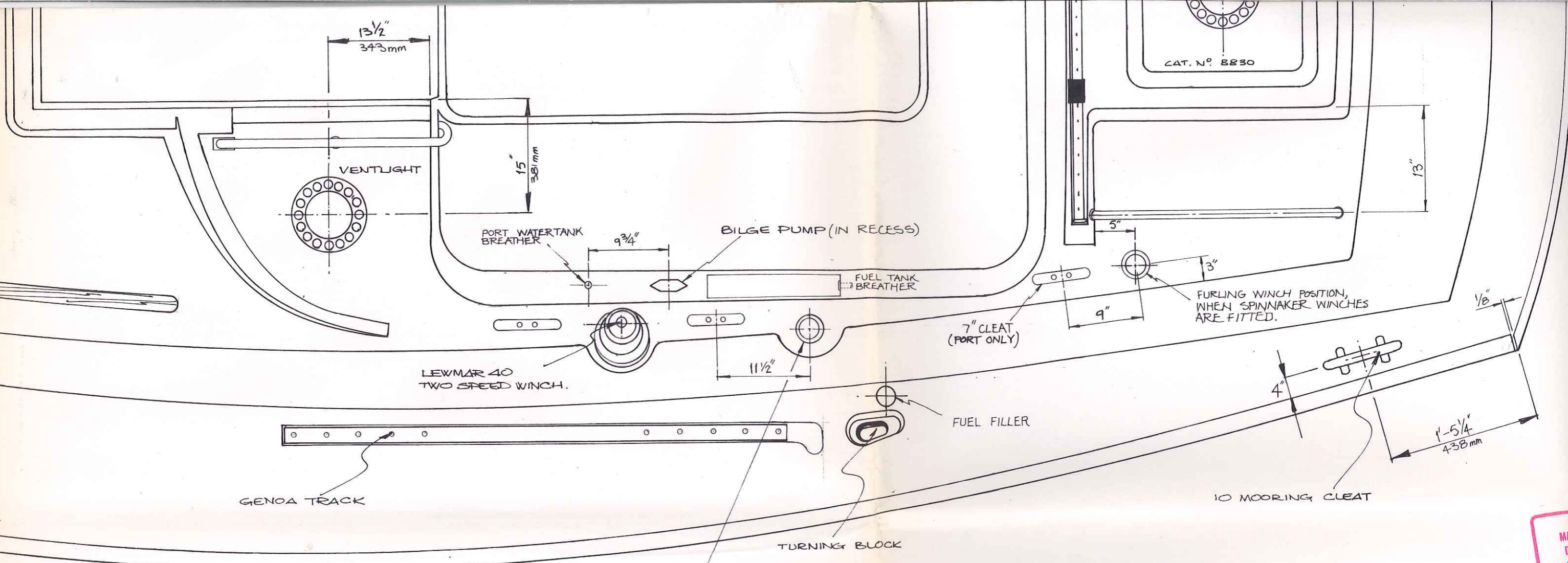
1



A2







CAT. N° 8830

B2

OPTIONAL: - LEWMAR 16C FURLING WINCH OR LEWMAR 16C SPINNAKER WINCHES (P&S)

ISSUED  
MARINE PROJECTS  
DRAWING  
27 JF

UNCONTROLLED

8-04-87	DRAWING UPDATED.	J.F.
DATE	MODIFICATION	INT.

MARINE PROJECTS (PLYMOUTH) LTD

MOODY 34  
DECK FITTINGS  
DR. ECT. 6.9.84.

SCALE 1" = 12"

DRN° M34.03