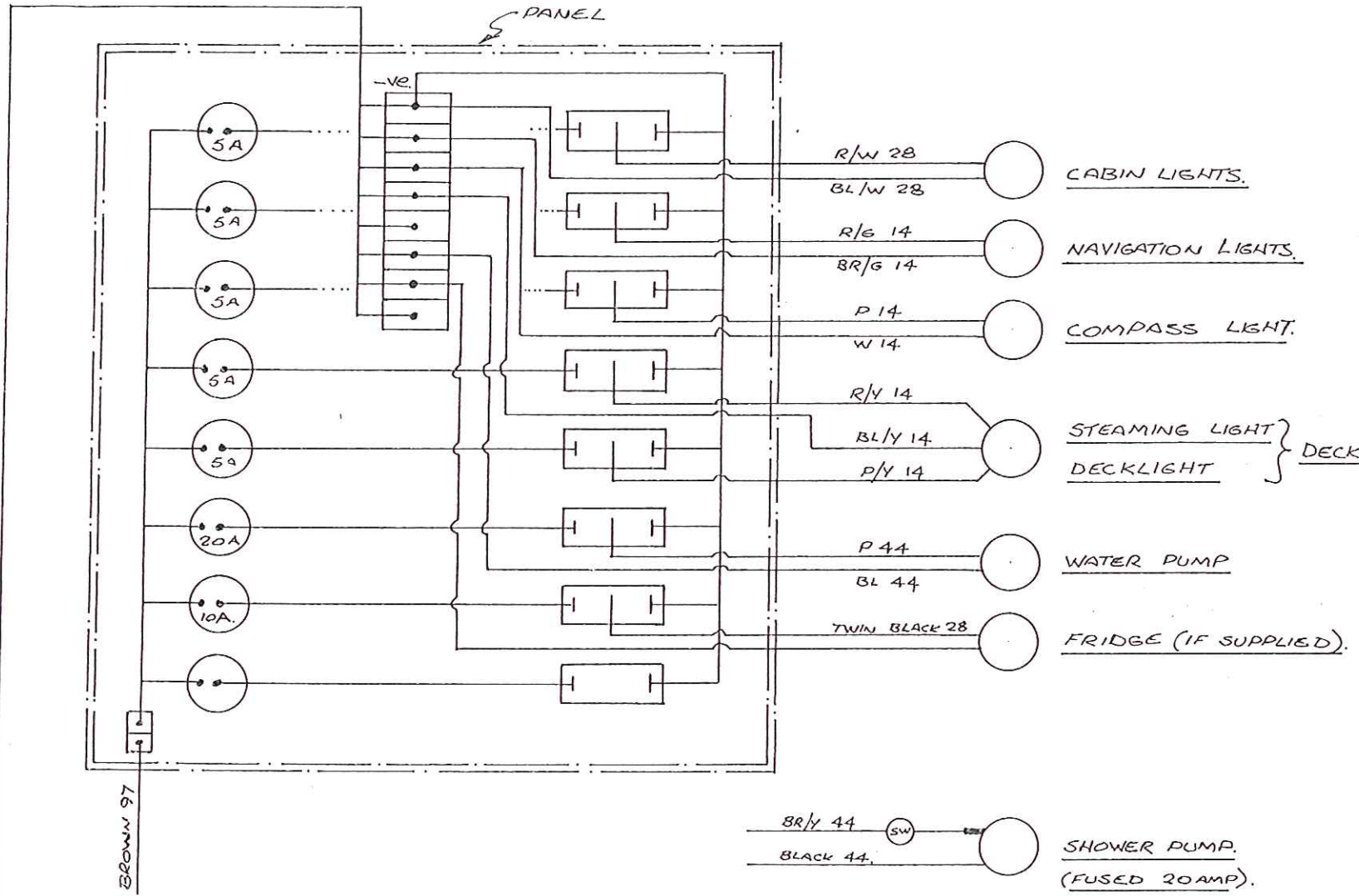


Title **MOODV 36-S SWITCH & FUSE PANEL WIRING.**
 Material - Drawn by **PAN** Date **12.8.82** Scale - Drwg.No **M36-S-027**

MARINE PROJECTS PLYMOUTH LTD.
 Newport Street, Plymouth. Telephone 27771

- COLOUR CODING.
- R/W 28 - RED/WHITE 28
 - BL/W 28 - BLUE/WHITE 28.
 - R/G 14 - RED/GREEN 14
 - BR/G 14 - BROWN/GREEN.14
 - P 14 - PURPLE 14
 - W 14 - WHITE 14
 - R/Y 14 - RED/YELLOW 14
 - BL/Y 14 - BLUE/YELLOW 14
 - P/Y 14 - PURPLE/YELLOW 14
 - P 44 - PURPLE 44
 - BL 44 - BLUE. 44.
 - BR/Y 44 - BROWN/YELLOW 44.



DECK SOCKET.

UNCONTROLLED

ISSUED BY
 MARINE PROJECTS
 CHAIRMAN OFFICE
08 OCT 1996

PAN	13.7.82	FUSE RATINGS CORRECTED.
S/G	DATE	MODIFICATION