

Title MOODY 40 FUEL TANK (10FF)

Capacity approx 41 galls

Material 14 SWG MILD STEEL
TESTED TO 5 lbs./sq"

Drawn by M.H.

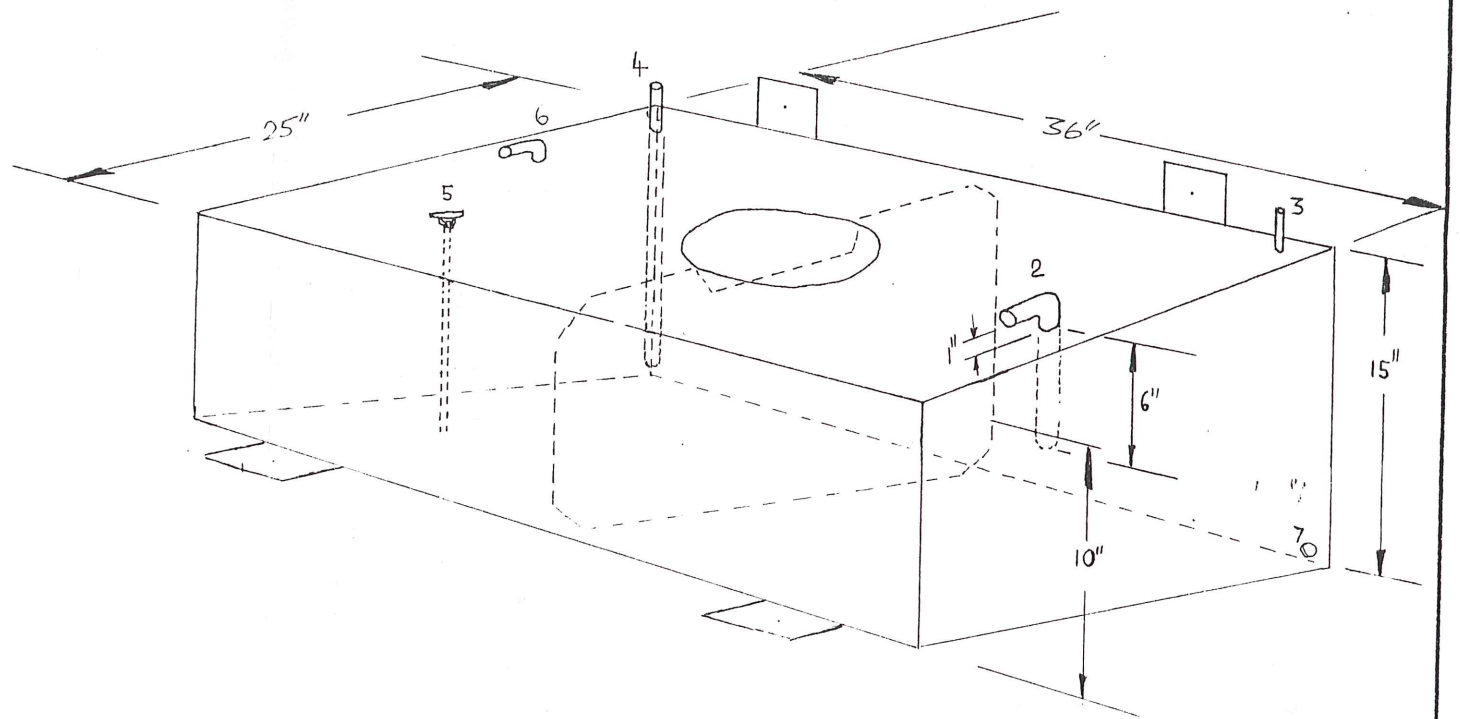
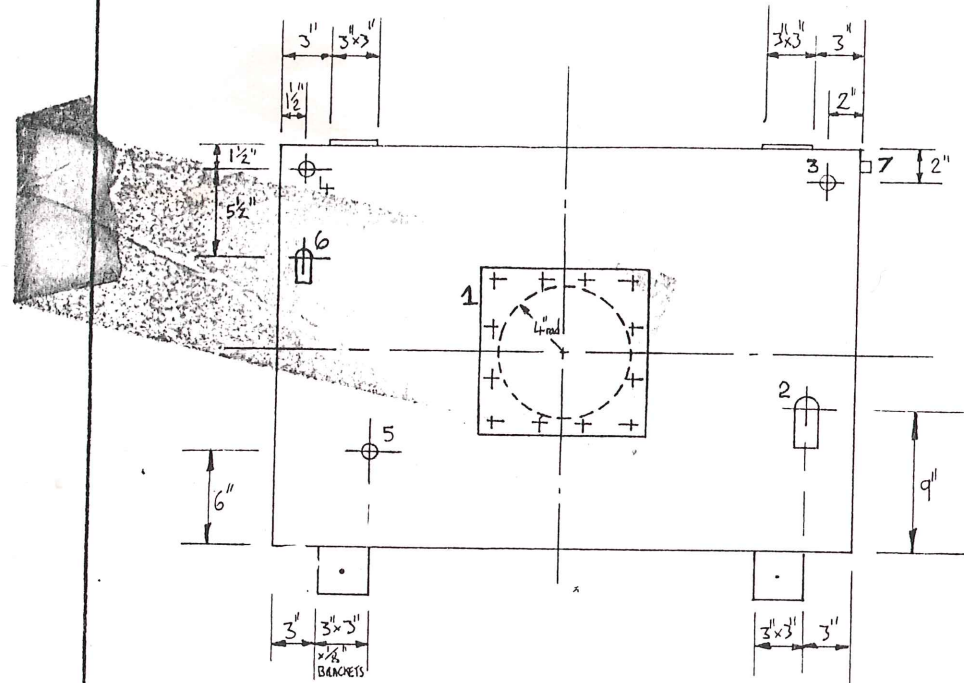
Date 7 FEB 80

Scale 1" : 12"

Drwg. No M40-013

MARINE PROJECTS PLYMOUTH LTD.
Newport Street, Plymouth. Telephone 27771

PLAN VIEW



- 1 INSPECTION HATCH STANDARD
- 2 FUEL FILLER 1/4" B.S.P. ELBOW
- 3 BREATHER 1/2" B.S.P. STRAIGHT 2" HIGH
- 4 SUCTION PIPE 3/8" B.S.P. STRAIGHT FEMALE - FEMALE
1/4" HIGH - 7/16" DOWNPIPE WITH SPACER/DRYER
WELDED NEAR TO BOTTOM
- 5 DIPSTICK STANDARD
- 6 RETURN ELBOW 3/8" B.S.P.
- 7 DRAIN PLUG STANDARD

UNCONTROLLED

ISSUED BY
MARINE PROJECTS
DRAWING OFFICE
01 DEC 1994