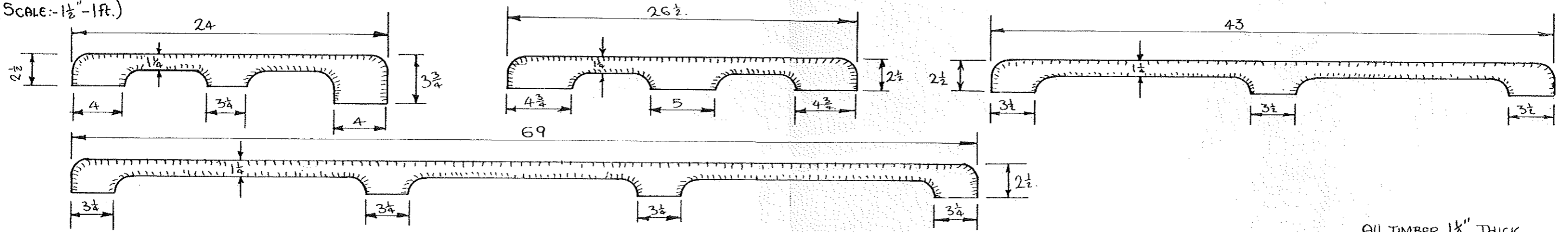


MOODY 422

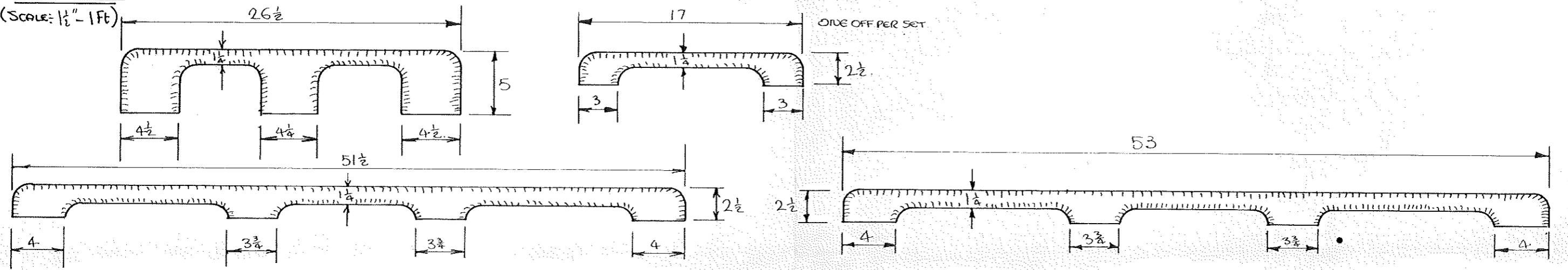
(SCALE: $1\frac{1}{2}$ "-1ft.)



ALL TIMBER $1\frac{1}{4}$ " THICK UNLESS STATED OTHERWISE.

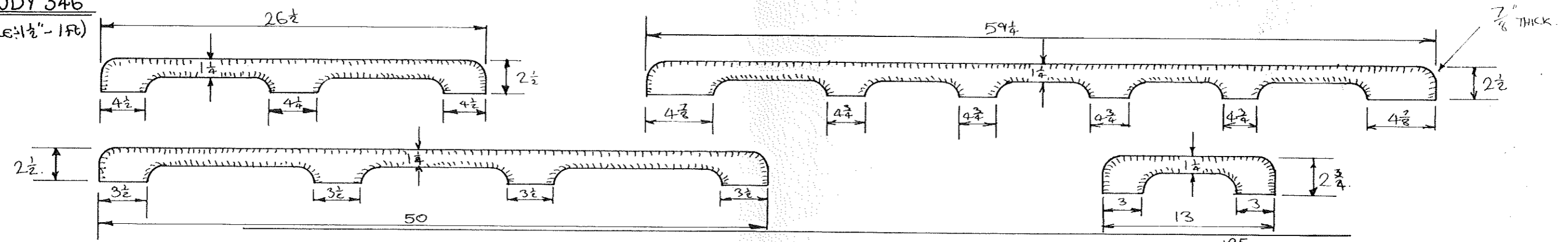
MOODY 37

(SCALE: $1\frac{1}{2}$ "-1ft.)



MOODY 346

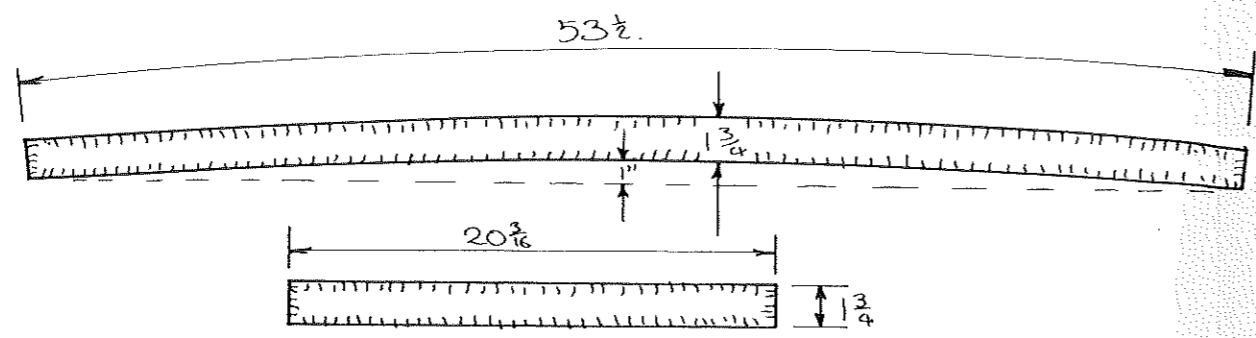
(SCALE: $1\frac{1}{2}$ "-1ft.)



MOODY 31

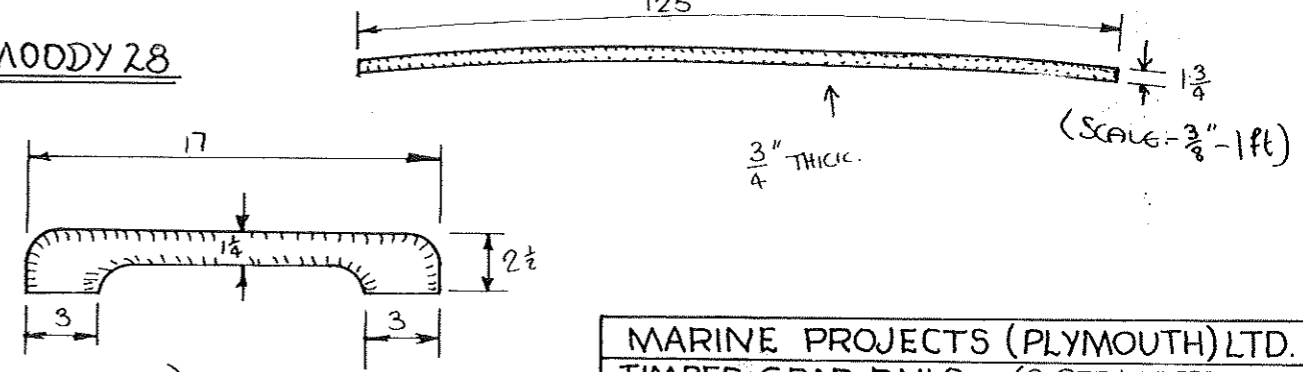
(SCALE: $1\frac{1}{2}$ "-1ft.)

BOTH $3/4$ " THICK.



MOODY 28

(SCALE: $1\frac{1}{2}$ "-1ft.)



MARINE PROJECTS (PLYMOUTH) LTD.
 TIMBER GRAB RAILS. (2 OFF UNLESS STATED)
 DR: - MJK.
 DR. NO: - AB 075.