

M425

ANTI-FOULING QUANTITIES

2½ LTR TINS

M331 ————— 2

M346 ————— 2½

M376 ————— 3

M425 ————— 4

S33 ————— 2

S362 ————— 2½

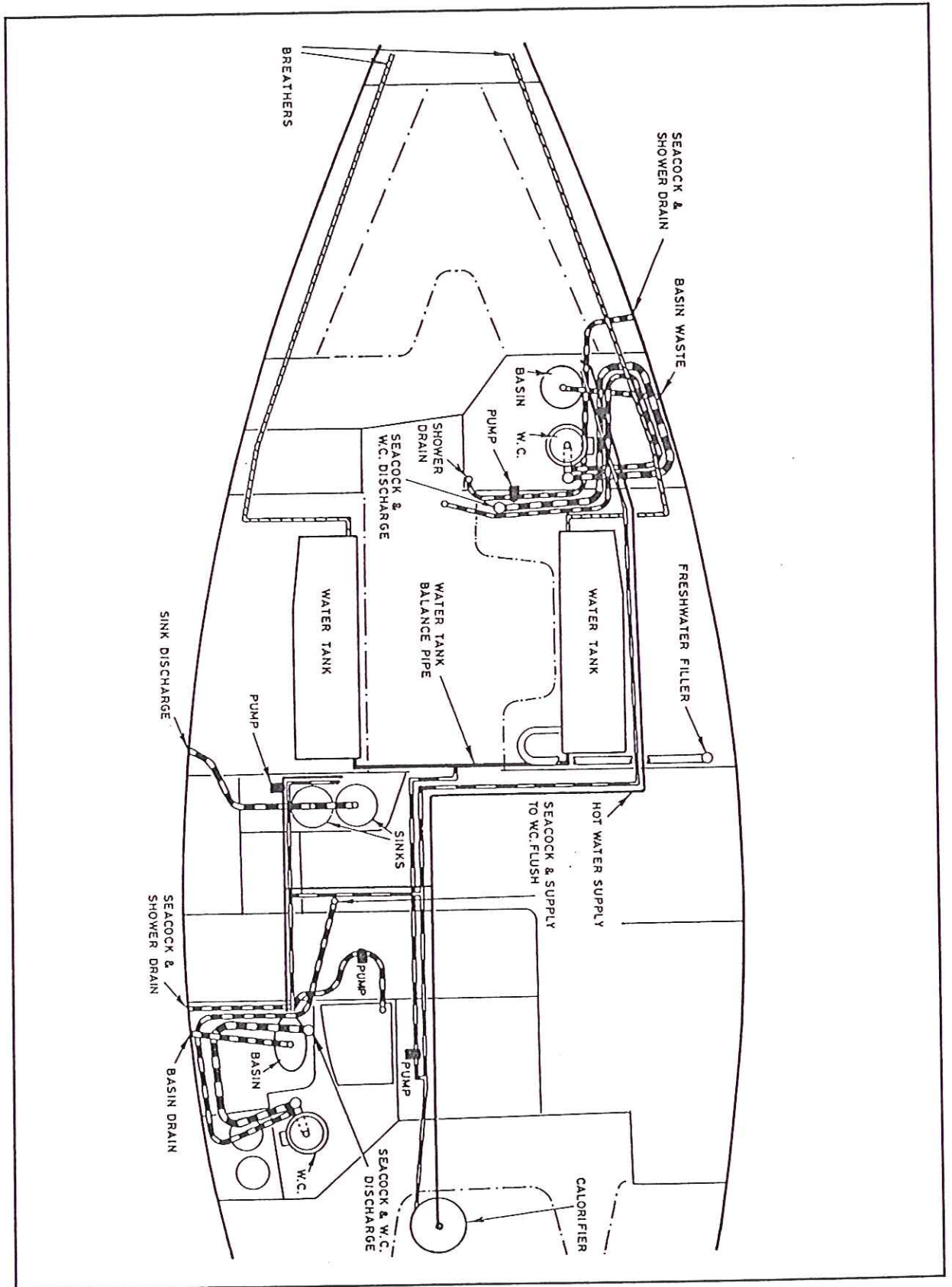
S38 ————— 3

M33 ECLIPSE ————— 2½

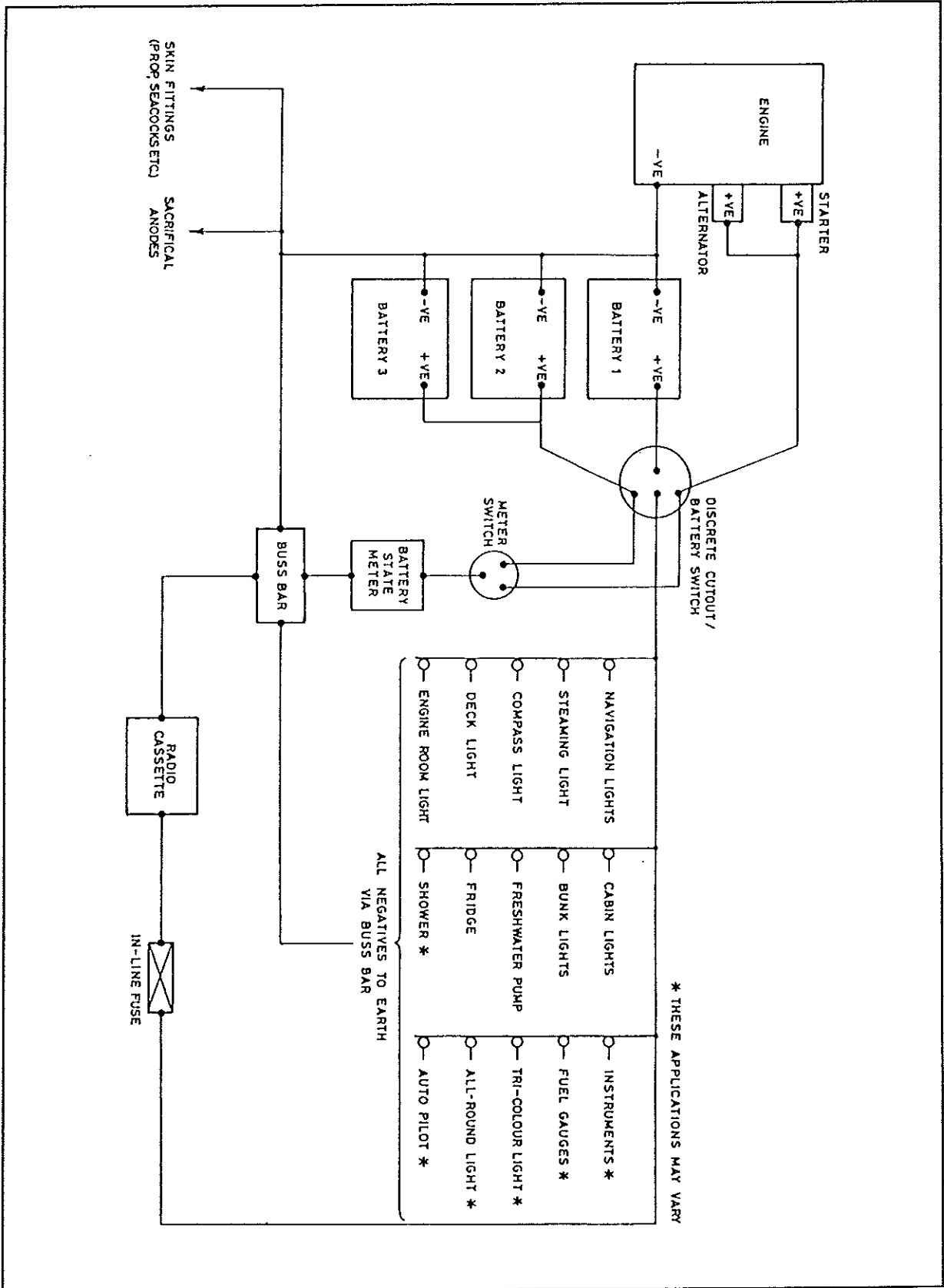
P286 ————— 2½

Attn Terry.

Regards, Bill Barrow.



Moody 425 Freshwater System



Moody 425 Electrical System

425.

721 \$180
150

DS141. FWD HOLDING TANK

FWD HOLDING TANK.

27.04
40.48
44.16
39.60
7.00
121.26
27.74
22.26
39.80
10.50
7.80
3.80
718.44
750.00

6.710
10.12
10.29
3.30
3.50
60.63
13.87
11.13

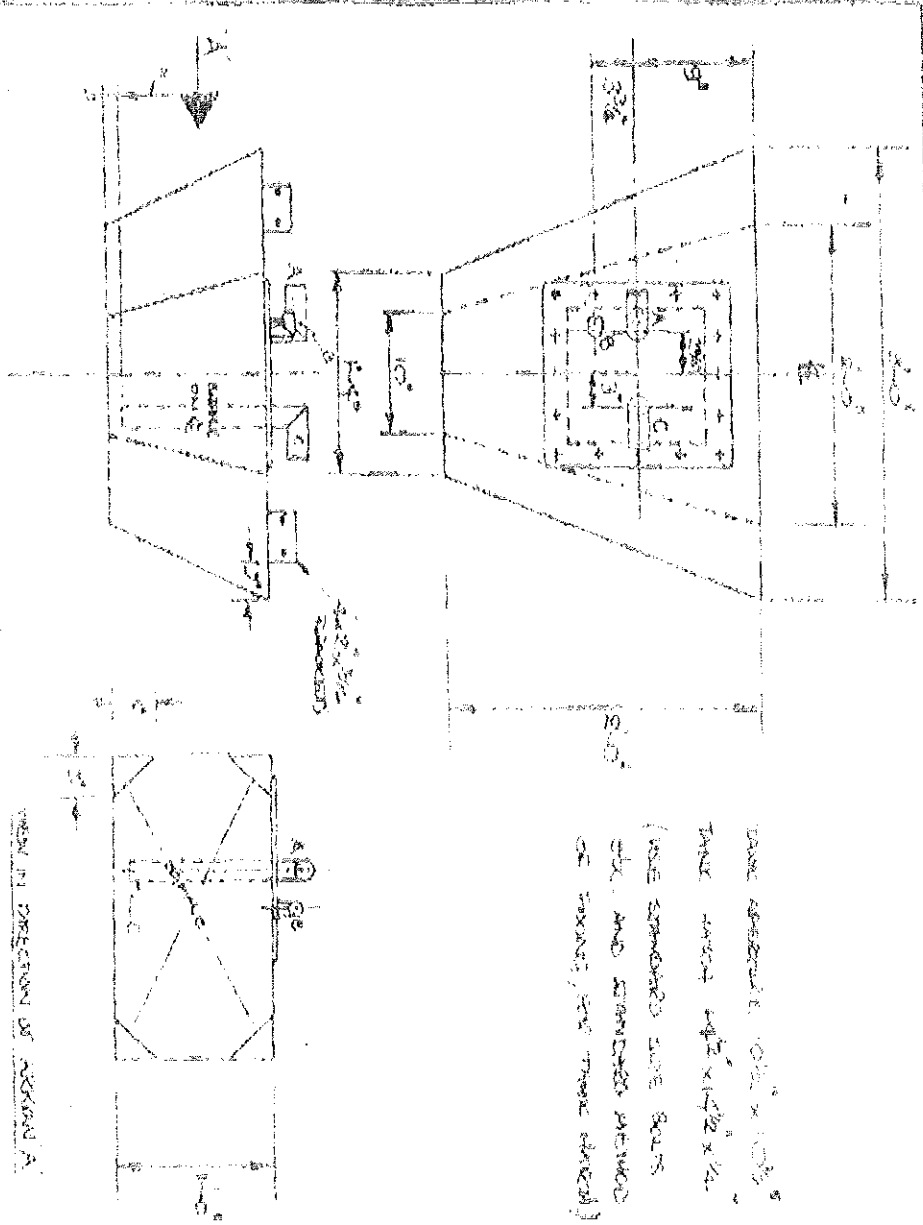
- 2 IN NO 1/2 SKIN FITTINGS 615911
- " " " " BALL VALVES 616271
- " " " " 90° PIPE ADAPTORS 615815
- 2 IN. NO. 1 1/4" T. VALVES
- 6 " " 1/4. FULL BORE PIPE ADAPTORS 616193
- 4 IN NO 1/2" T. PIECE BRACKETS.
- 1 IN NO 1" S/S VENT SKIN FITTING 645914
- 1 IN NO WHALE EXHAUST PUMP 615680
- 1 IN NO WHALE DECK FITTING PLATE 615670
- 1 IN NO DOCKSIDE DISCHARGE DECK FITTING 642222 waste water

FITTING.

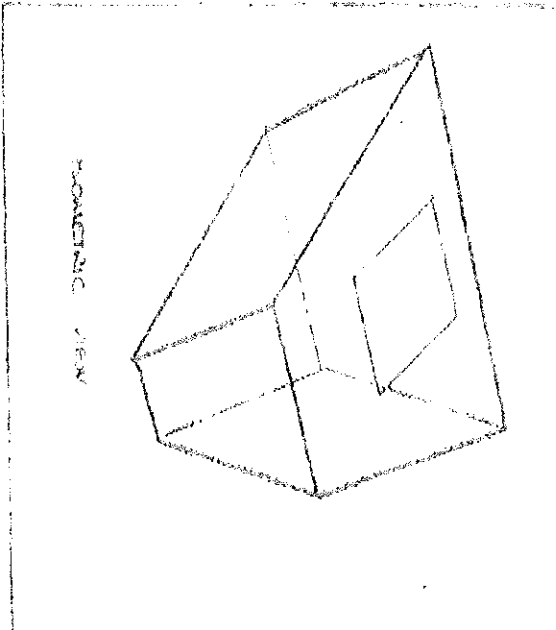
- 1.99 8 METRES OF 1/2" YELLOW NON TOXIC PIPE 614662
- 105 4 METRES. 1" YELLOW NON TOXIC. 614602
- 39 10 IN NO 24 JUBILEE CLIPS 304504
- 38 4 " " 16 JUBILEE CLIPS. 304500

TITLE	ACRYL 402 PROJECT DRAWING	DATE	10/10/2011
DRAWN BY	DR. S. S. SINGH	CHECKED BY	DR. S. S. SINGH
DATE	10/10/2011	SCALE	AS SHOWN
DRAWING NUMBER	ACRYL 402		

SHRI PROJECTS PRIVATE LTD.
 Plot No. 1, Phase II, Industrial Area, Gurgaon, Haryana
 Telephone: 91-1299-277777



USE APPROXIMATE 10mm x 10mm
 THICK WALLS WITH 1/2" x 1/2" x 1/4"
 (USE STANDARD SIZE BOLTS
 etc. AND STANDARD METHOD
 OF FIXING, FOR MORE DETAILS)



ISOMETRIC VIEW

- A. WITH 1/2" x 1/2" x 1/4"
 - B. WALLS WITH 10mm
 - C. DIMENSIONS OF 10mm (approximately)
- (NOTE: MEMBER A, B AND C SHOULD BE MARKED FROM TOP OR FRONT)

SCALE OF DRAWING: 1/4" = 1'-0"

ACRYL 402 PROJECT DRAWING

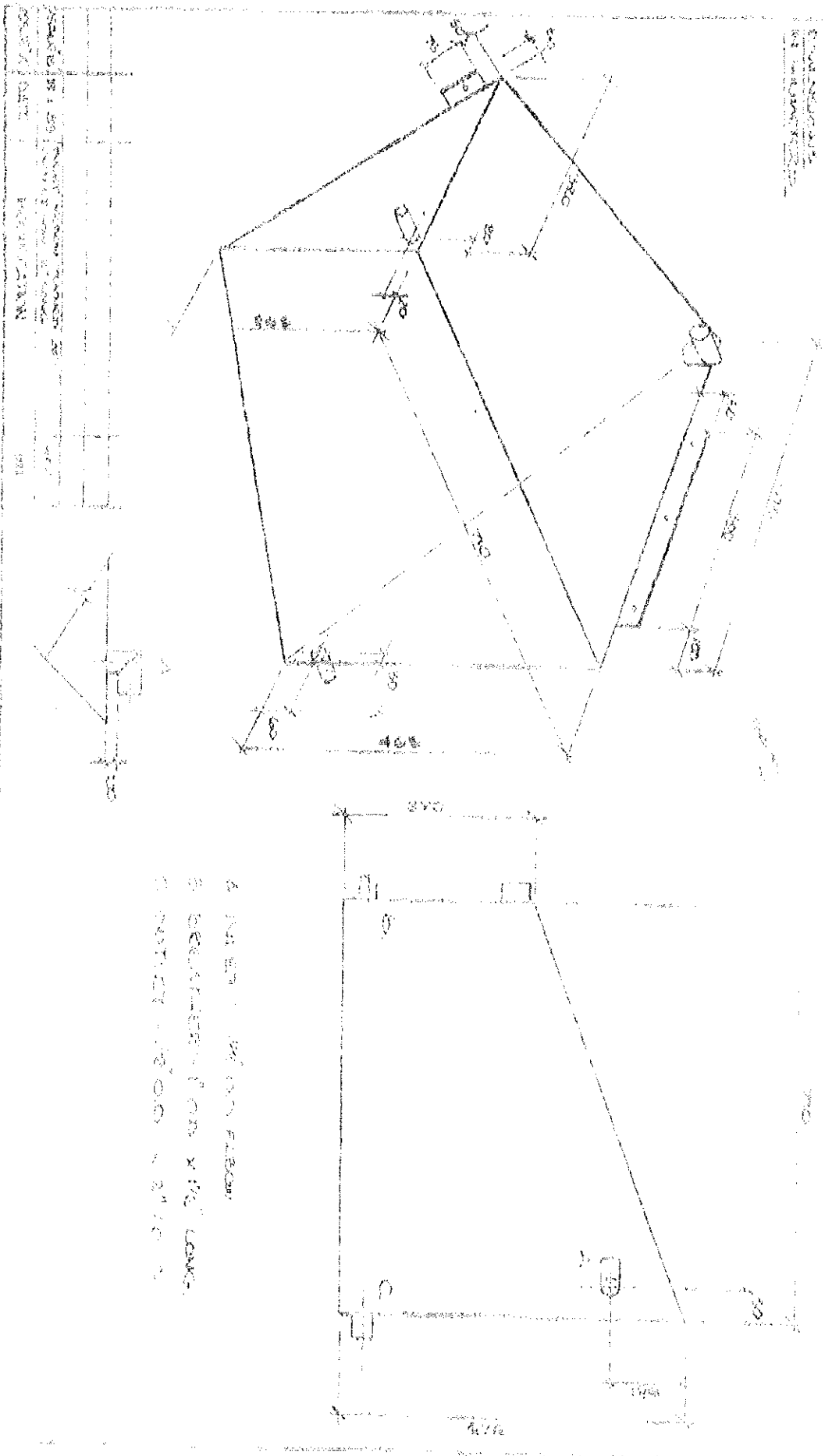
15M WOODY AISLE BOARDING PLANK JOINT

Drawn by: [Signature] Date: 02.02.94 Scale: 1:1

FOR INFORMATION
BY THE CONTRACTOR

Approved by: [Signature] Date: 02.02.94 Scale: 1:1

ANTHONY BOYS PLYWOOD LTD.
45 WOOD STREET, HAYWARDS, TELEPHONE 2177



15M WOODY AISLE BOARDING PLANK JOINT

ANTHONY BOYS PLYWOOD LTD.

Ø/A LENGTH 19.0

MGIF 127
GC 220

HOSE CLIPS

BB60

BU 16

GC 34
BORED TO
SUIT Ø 1/2"
SHAFT
CAST SOLID

4 OFF 3/8" SQ GLAND PACKING

MST 292

HOSE 2.375 BORE x 3.875 LG

Same Drawing for 419-422 & 425

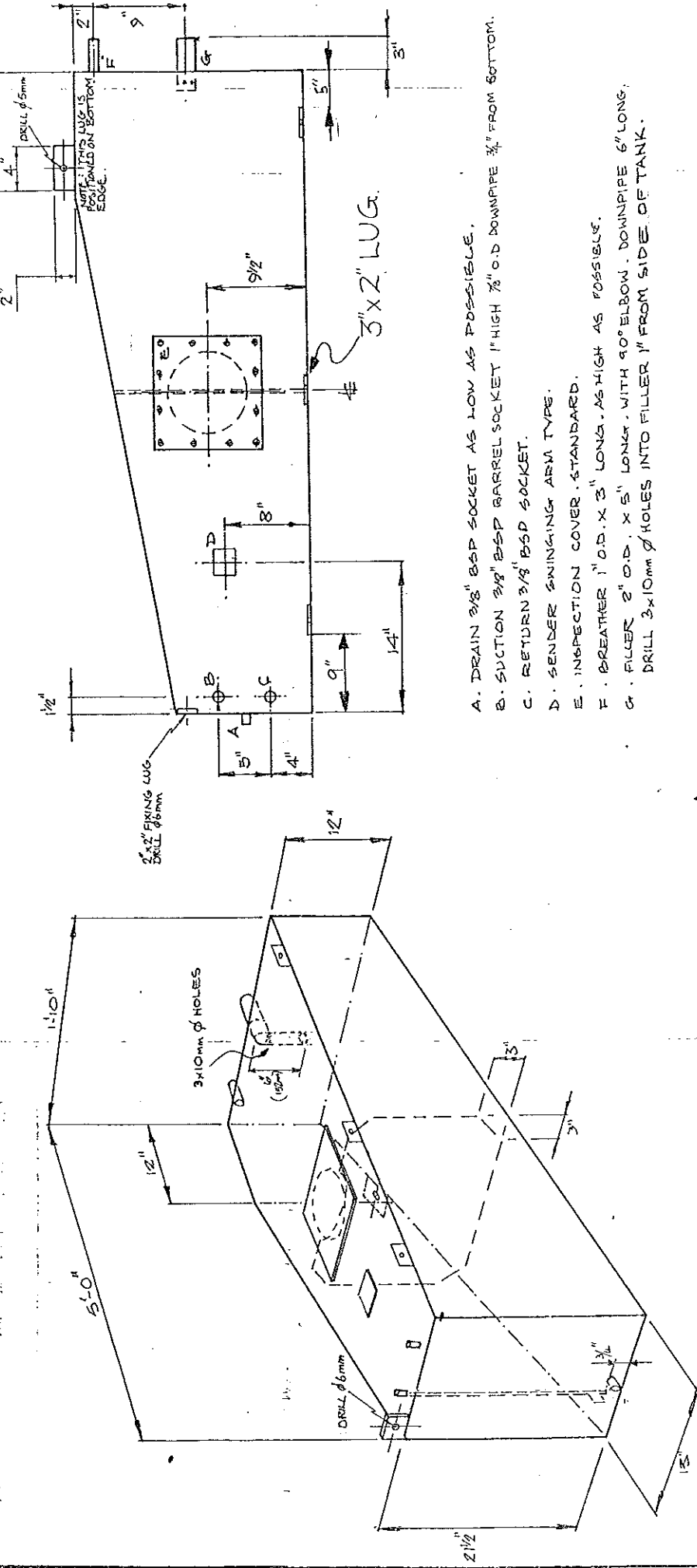
ISSUE	DATE	SIG.	CHANGE
M/C/D AT V	SCALE 1:2	©	SIG.
MAT'L VARIOUS	WEIGHT	DR'N.	DATE
PATT'N.	KG	CH'D.	CUSTOMER M.P.
ALL DIM'NS ARE IN INCHES MM—			COMP DESC' MOODY 422
			STEINTUBE ASSY
			COMP No. AST 292

REFER TO LLOYDS APPROD STANDARD IN INSTALLATION DRG

Title **MOODY 412 FUEL TANK** CAPACITY **GALS. = 65** LITRES = **295**
 Material **M/S.** Drawn by **EST** Date **15.7.86.** Scale **N75** Drwg. No **M412-001**

MARINE PROJECTS PLYMOUTH LTD.
 Newport Street, Plymouth, Telephone 27771

Always work to figured dimensions in preference to scaled dimensions. Refer significant discrepancies to chargehand before putting work in hand.



- A. DRAIN 3/8" BSP SOCKET AS LOW AS POSSIBLE.
- B. SUCTION 3/8" BSP BARREL SOCKET 1" HIGH 7/8" O.D. DOWNPIPE 3/4" FROM BOTTOM.
- C. RETURN 3/8" BSP SOCKET.
- D. SENDER SWINGING ARM TYPE.
- E. INSPECTION COVER. STANDARD.
- F. BREATHER 1" O.D. X 3" LONG. AS HIGH AS POSSIBLE.
- G. FILLER 2" O.D. X 5" LONG. WITH 90° ELBOW. DOWNPIPE 6" LONG. DRILL 3x10mm Ø HOLES INTO FILLER 1" FROM SIDE OF TANK.

D	25/10/88	FILLER PIPE ADDED	K.B.K
C	21/01/87	4x2" & 2x2" FIXING LUGS ADDED.	JF
B	22/7/86	3x2" LUGS 3 OFF	APY
A	DATE	MODIFICATION	NAME

Same Drawing for 419 - 422 & 425.

Title MOODY 425 HOLDING TANK. APPROX 13 GALS.

MARINE PROJECTS PLYMOUTH LTD.
Newport Street, Plymouth. Telephone 27771

Material ALUMINIUM

Drawn by ECT

Date 15.12.88

Scale N.T.S.

Drwg. No. M425.042

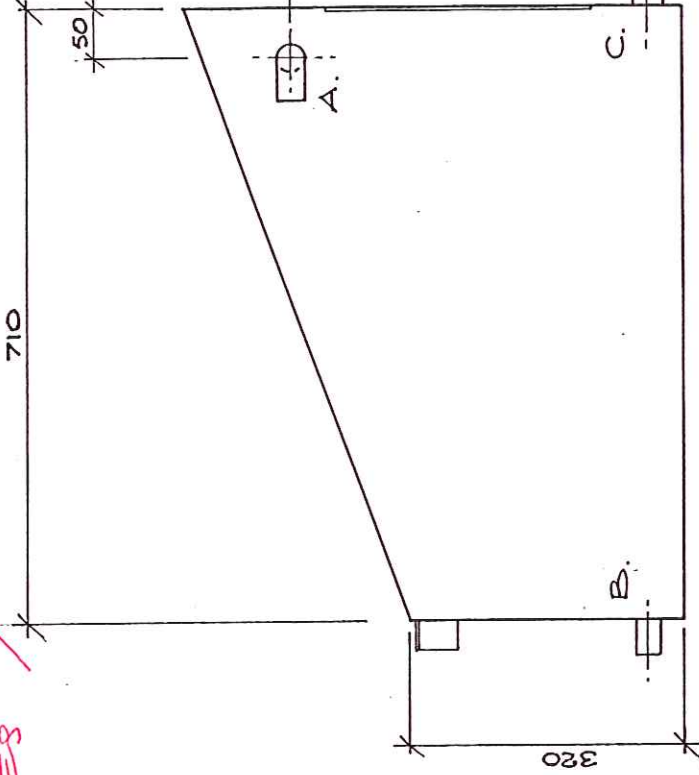
Always work to figured dimensions in preference to scaled dimensions. Refer significant discrepancies to chargehand before putting work in hand.

DIMENSIONS IN MILLIMETERS

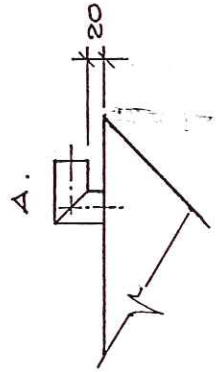
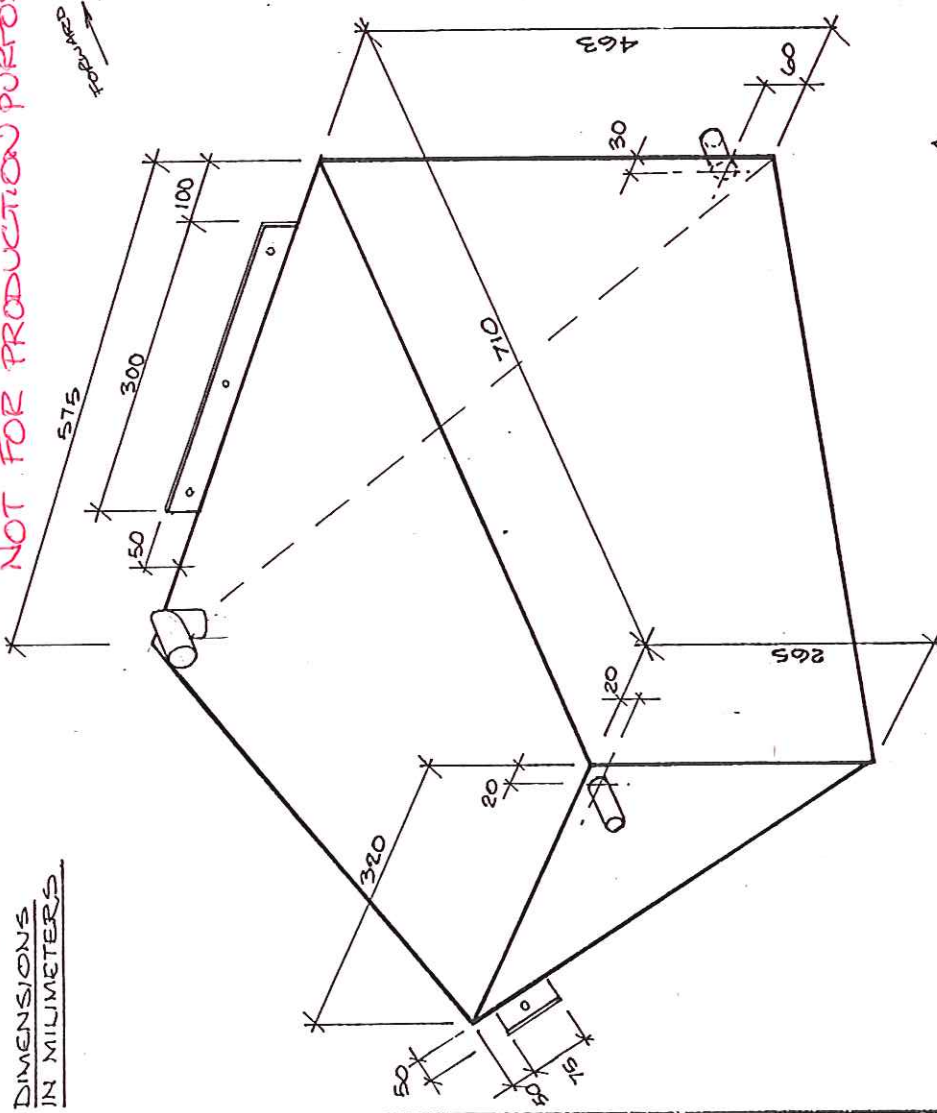
NOT FOR PRODUCTION PURPOSES

710

FORWARD



- A. INLET :- 1/2" O.D. ELBOW.
- B. BREATHER :- 1" O.D. x 1 1/2" LONG.
- C. OUTLET :- 1/2" O.D. x 2" LONG.



ISSUE 'A'	DATE	MODIFICATION	INT.
ISSUE 'B'	18.1.89.	INLET ELBOW TURNED AFT. OUTLET NOW 2" LONG.	ECT.